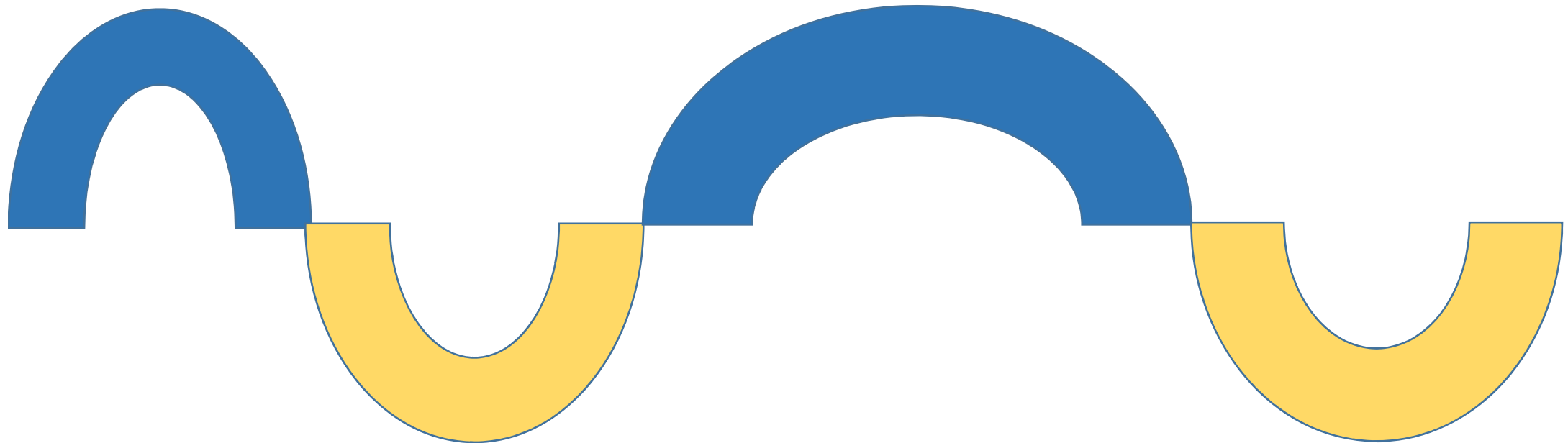



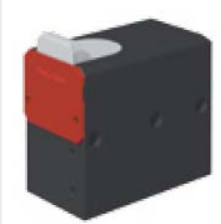


# STOP DAMPER

## PRODUCT CATALOGUE



# Pneumatic undamped stoppers

	Basic product	Lowering stroke	Damping stroke	Scope of application		Variants
				at	Weight	
	ASU-70	7mm	n/a	06 m/min 09 12 18 24 30 36 50	70kg 60 30 20 12 6 4 3	EW/DW H/K I/E cust.-spec. solutions var. access.
	ASU-400	9mm 15mm 25mm	n/a	06 m/min 09 12 18 24 30 36 50	400kg 300 250 200 110 65 50 30	EW/DW H/K I/E G cust.-spec. solutions var. access.
	ASU-600	10mm	n/a	06 m/min 09 12 18 24 30 36 50	600kg 425 360 275 150 95 70 40	EW/DW I cust.-spec. var. access.
	ASU-800	10mm 20mm	n/a	06 m/min 09 12 18 24 30 36 50	800kg 800 800 800 450 250 200 100	EW/DW H/K I/E G cust solutions var. access.

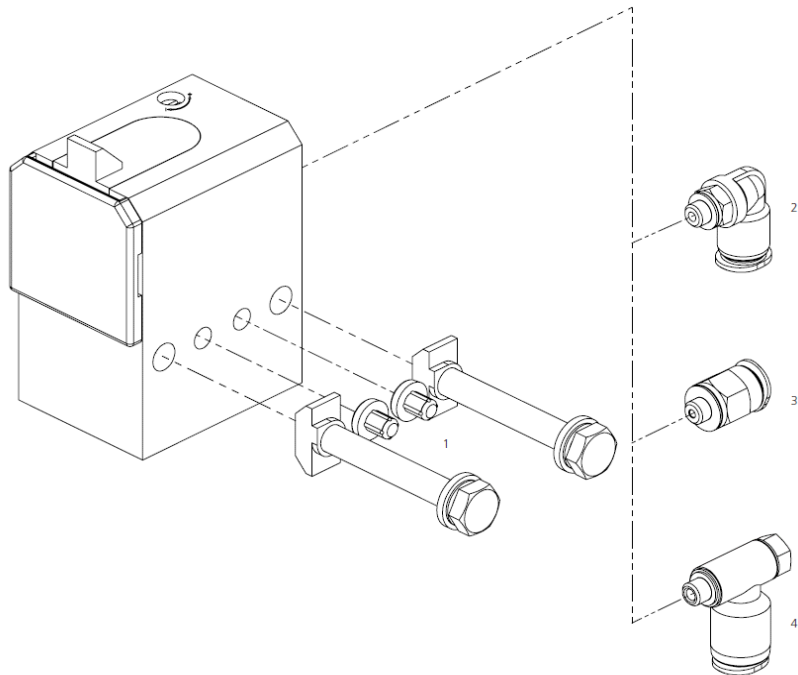
EW single-acting  
 DW double-acting  
 H heat resistant  
 K cold resistant

I prepared for inductive  
 position sensor  
 E prepared for electronic  
 position sensor

G stop plate with thread

ASU -	70 -	EW - DW -	07 -	L -	on demand	on demand	Customer-specific no.
Product classification Type		Function EW = Single acting DW = double acting		Lowering speed L = adjustable, therefore extremely quiet		Query - = without sensor I = inductive sensor E = electronic sensor	
	Maximum ram pressure conveyor speed from 6m/min up to 70kg		Lowering stroke (mm)		Temperature range - = normal - 20° to +80° H = heat resistant - 20° to +180° K = cold resistant - 50° to +80°		Customer-specific

### Accessories

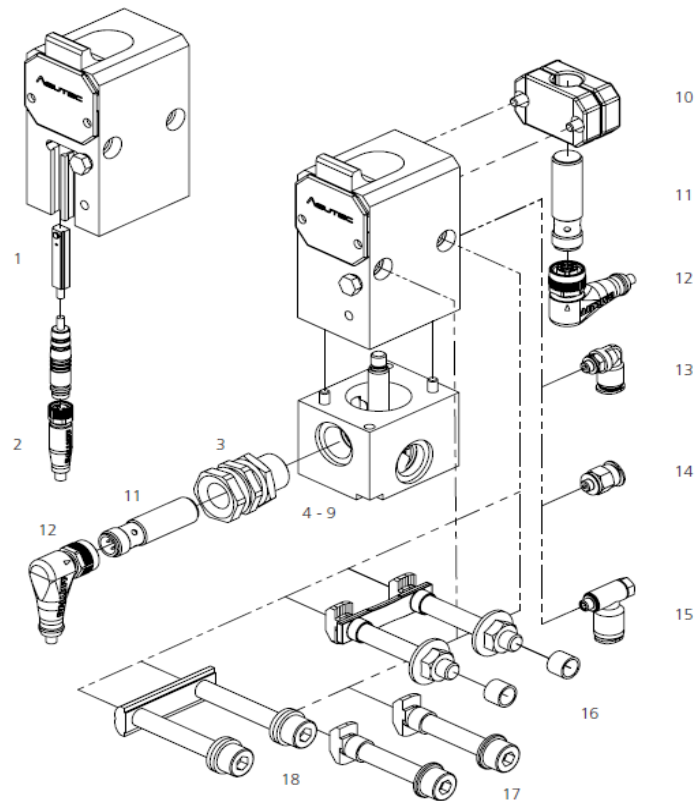


NO.	ORDER NO.	ACCESSORY	DESCRIPTION
1	75000004	Fastening set	
2	14010004	Air connection M5	For tubing outside diameter Ø 6 mm
3	14010009	Air connection M5	For tubing outside diameter Ø 6 mm
4	14010006	Delivery air connection M5	For tubing outside diameter Ø 6 mm

Heat and cold resistant accessories upon request Subject to technical modification.

ASU -	400 -	EW - DW -	09 - 15 - 25 -	- H - K -	- I - E -	- G -	Customer-specific no.
Product classification Type		Function EW = Single acting DW = double acting		Temperature range - = normal - 20° to +80° H = heat resistant -20° to +180° K = cold resistant -50° to +80°		Stop plate - = without sensor G = with thread	
	Maximum ram pressure conveyor speed from 6m/min up to 400kg		Lowering stroke (mm)		Query - = without sensor I = inductive sensor E = electronic sensor		Customer-specific

### Accessories

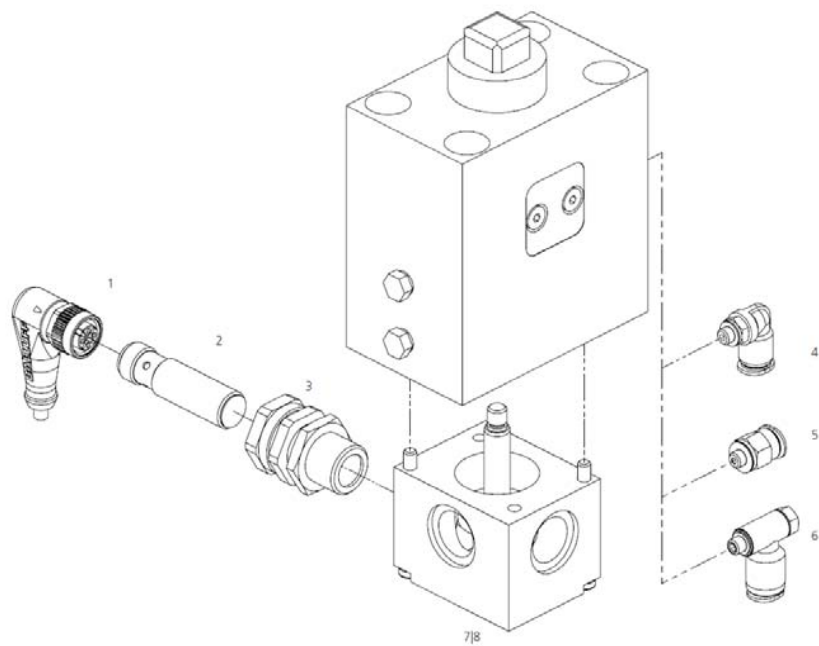


NO.	ORDER NO.	ACCESSORY	DESCRIPTION
1	15000000	Electronic sensor	
2	15010000	Connector M8X1	Length 5 m
3	15030001	Clamping holder M16X1	short version
4	75003000	Position detection	09 stroke (EW) (retrofit)
5	75003001	Position detection	15 stroke (EW) (retrofit)
6	75003002	Position detection	25 stroke (EW) (retrofit)
7	75003011	Position detection	09 stroke (DW) (retrofit)
8	75003013	Position detection	15 stroke (DW) (retrofit)
9	75003014	Position detection	25 stroke (DW) (retrofit)
10	75003005	Switch holder	For inductive proximity switch M12x1
11	15000001	Inductive sensor	Ø 12 mm
12	15010001	Connector M 12x1	Length 5 m
13	14010004	Air connection M5	For tubing outside diameter Ø 6 mm
14	14010009	Air connection M5	For tubing outside diameter Ø 6 mm
15	14010006	Delivery air connection M5	For tubing outside diameter Ø 6 mm
16	75000001	Fastening set A	With long slot nuts and anti-twist device
17	75000002	Fastening set B	With short slot nuts
18	75000006	Fastening set	With long spacer sleeve

Heat and cold resistant accessories upon request Subject to technical modification.

ASU -	600 -	EW - DW -	10 -	-   -	Customerspecific no.
Product classification Type		Function EW = Single acting DW = double acting		Query - = without sensor   = inductive sensor	
	Maximum ram pressure conveyor speed from 6m/min up to 600kg		Lowering stroke (mm)		Customerspecific

### Accessories

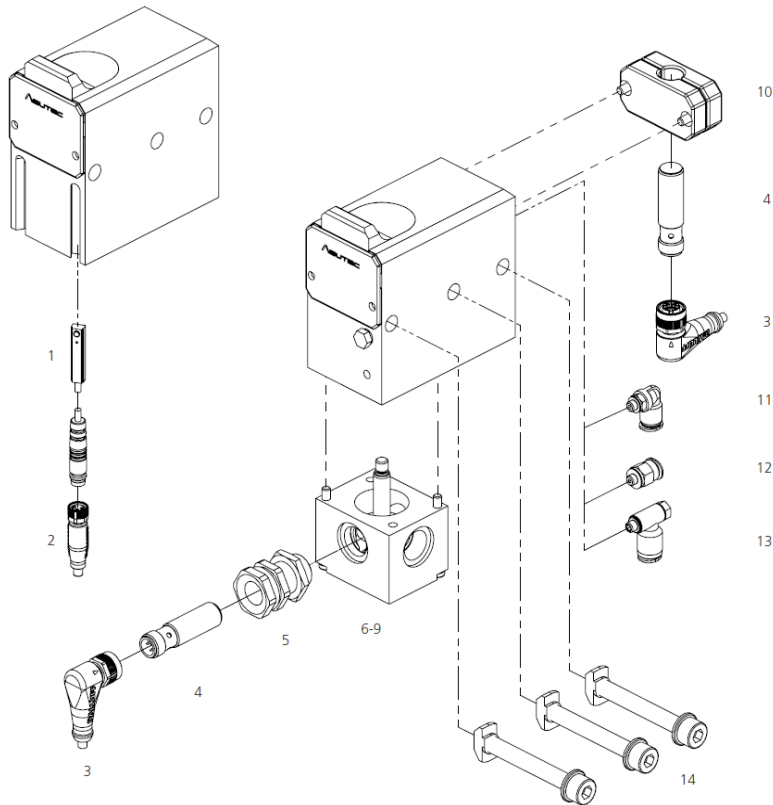


NO.	ORDER NO.	ACCESSORY	DESCRIPTION
1	15010001	Connector M12X1	Length 5 m
2	15000001	Inductive sensor M12 x 1	
3	15030001	Clamping holder M16X1	short version
4	14010004	Air connection M5	For tubing outside diameter Ø 6 mm
5	14010009	Air connection M5	For tubing outside diameter Ø 6 mm
6	14010006	Delivery air connection M5	For tubing outside diameter Ø 6 mm
7	75003018	Position detection	Single acting(retrofit)
8	75003019	Position detection	Double acting(retrofit)

Heat and cold resistand accessories upon request Subject to technical modification.

ASU -	800 -	EW - DW -	10 - 20 -	- H - K -	- I - E -	- G -	Customer-specific no.
Product classification Type		Function EW = Single acting DW = double acting		Temperature range - = normal -20° bis +80° H = heat resistant -20° to +180° K = cold resistant -50° to +80°		Stop plate - = without thread G= with thread	
	Maximum ram pressure conveyor speed from 6m/min up to 800kg		Lowering stroke (mm)		Query - = without sensor I = inductive sensor E= electronic sensor		Customer-specific


### Accessories



NO.	ORDER NO.	ACCESSORY	DESCRIPTION
1	1500000	Electronic sensor	
2	15010000	Connector M8x1	Length 5 m
3	15010001	Connector M12x1	Length 5 m
4	15000001	Inductive sensor	Ø 12 mm
5	15030001	Clamping holder M16x1	short version
6	75003018	Position detection	10 stroke (EW) (retrofit)
7	75003009	Position detection	20 stroke (EW) (retrofit)
8	75003019	Position detection	10 stroke (DW) (retrofit)
9	75003020	Position detection	20 stroke (DW) (retrofit)
10	75003004	Switch holder for inductive proximity switch	Ø 12 mm
11	14010004	Air connection M5	For tubing outside diameter Ø 6 mm
12	14010009	Air connection M5	For tubing outside diameter Ø 6 mm
13	14010006	Air connection M5	For tubing outside diameter Ø 6 mm
14	75000010	Fastening set	

Heat and cold resistant accessories upon request Subject to technical modification.

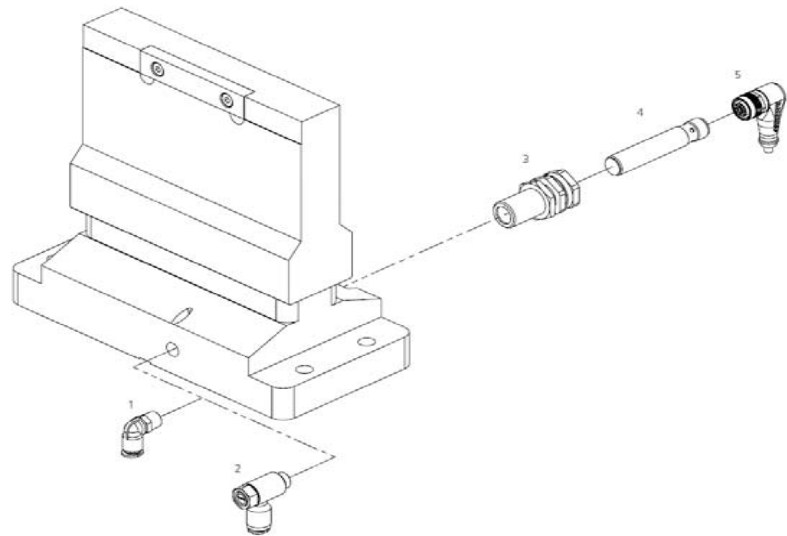
# Pneumatic undamped stoppers\_For Roller conveyor system

	Basic product	Lowering stroke	Damping stroke	Scope of application		Variants
				at	Weight	
	ASUR-400	15mm	n/a	06 m/min	400kg	EW/DW  cust.-spec solutions var. access.
				09	300	
				12	250	
				18	200	
				24	110	
				30	65	
				36	50	
				50	30	

EW single-acting  
DW double-acting

ASUR -	400 -	EW - DW -	15 -	Customerspecific no.
Product classification Type	Maximum ram pressure conveyor speed from 6 m/min up to 400kg	Function EW = Single acting DW = double acting on demand	Lowering stroke (mm)	Customer specific

### Accessories







NO.	ORDER NO.	ACCESSORY	DESCRIPTION
1	14010008	Air connector G 1/8	For tubing external diameter Ø 6 mm
2	14010005	Delivery air connection G 1/8	For tubing external diameter Ø 6 mm
3	15020002	Clamping holder M16x1	Long version
4	15000002	Inductive proximity switch M12x1	
5	15010001	Connector M12x1	Length 5m

Heat and cold resistant accessories upon request Subject to technical modification.



# Pneumatic damped stoppers\_Separating stop





	Basic product	Lowering stroke	Damping stroke	Scope of application		Variants
				at	Weight	
	ASM-15	7mm	10mm	06 m/min 09 12 18 24 30 36 50	0,25 – 15 0,25 – 10 0,25 – 9 0,25 – 7 0,25 – 6 0,25 – 4 0,25 – 2 0,25 – 1	EW/DW H/K  cust.-spec. solutions var. access.
	ASM-20/60	8mm 13mm	21.5mm	06 m/min 09 12 18 24 30 36 50	1 – 60kg 1 – 40 1 – 35 1 – 30 1 – 24 1 – 18 1 – 10 1 – 5	EW/DW H/K I/E KU S cust.-spec solutions var. access.
	ASM-100	8mm		06 m/min 09 12 18 24 30 36 50	3 – 100kg 3 – 70 3 – 60 3 – 50 3 – 40 3 – 30 3 – 17 3 – 9	EW/DW I/E  cust.-spec solutions var. access.
	ASM-160	9mm		06 m/min 09 12 18 24 30 36 50	5 – 160kg 5 – 110 5 – 110 5 – 100 5 – 60 3 – 40 3 – 27 3 – 15	EW/DW H/K I/E A19 cust.-spec solutions var. access.

EW single-acting  
 DW double-acting  
 H heat-resistant  
 K cold-resistant

I prepared for inductive  
 position sensor  
 E prepared for electronic  
 position sensor

KU plastic stop  
 S query stop plate retracted  
 A19 steel stop, 19 mm wide

# Pneumatic undamped stoppers\_Separating stop

	Basic product	Lowering stroke	Damping stroke	Scope of application		Variants
				at	Weight	
	ASM-250	10mm		06 m/min 09 12 18 24 30 36 50	5 – 250kg 5 – 200 5 – 150 5 – 100 5 – 55 5 – 35 5 – 25 5 – 15	EW/DW H/K E A35 cust.-spec solutions var. access.
	ASM-260	9mm		06 m/min 09 12 18 24 30 36 50	10 – 260kg 10 – 240 10 – 215 10 – 195 10 – 120 10 – 75 10 – 55 10 – 30	EW/DW I/E A19 cust.-spec solutions var. access.
	ASM-500	15mm		06 m/min 09 12 18 24 30 36 50	10 – 500kg 10 – 350 10 – 300 10 – 175 10 – 125 10 – 75 10 – 50 10 – 30	EW/DW E cust.-spec solutions var. access.
	ASM-1200	15mm		06 m/min 09 12 18 24 30 36 50	40 – 1200kg 40 – 1100 40 – 850 40 – 475 40 – 300 40 – 250	EW/DW E cust.-spec solutions var. access.

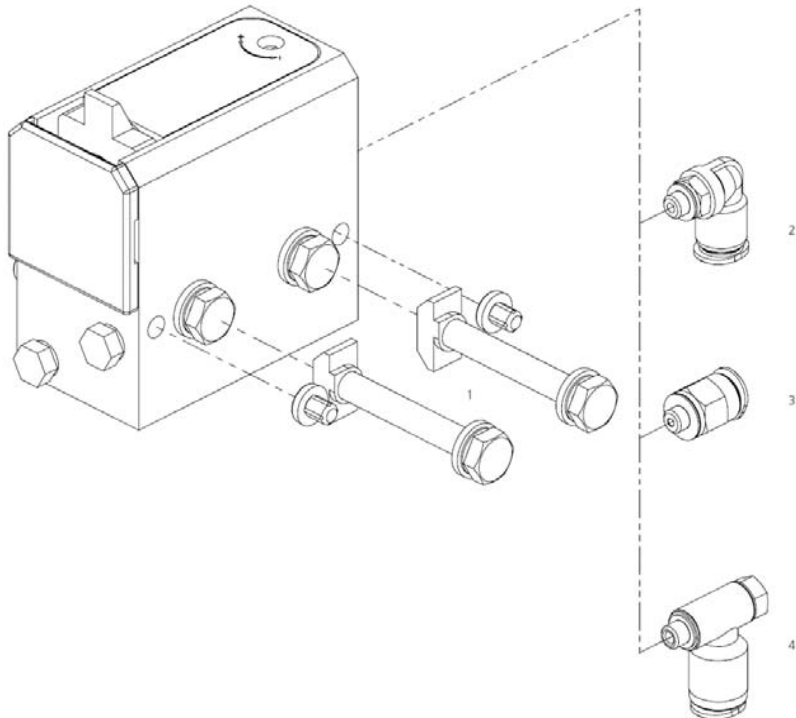
EW single-acting  
 DW double-acting  
 H heat-resistant  
 K cold-resistant

I prepared for inductive  
 position sensor  
 E prepared for electronic  
 position sensor

A19 steel stop, 19 mm wide  
 A35 steel stop, 35 mm wide

ASM -	15 -	EW - DW -	07 -	- H - K -	Customerspecific no.
Product classification Type	Maximum ram pressure conveyor speed from 6m/min up to 15kg	Function EW = Single acting DW = double acting	Lowering stroke (mm)	Temperature range - = normal -20° bis +80° H = heat resistant -20° to +180° K = cold resistant -50° to +80°	Customerspecific

### Accessories

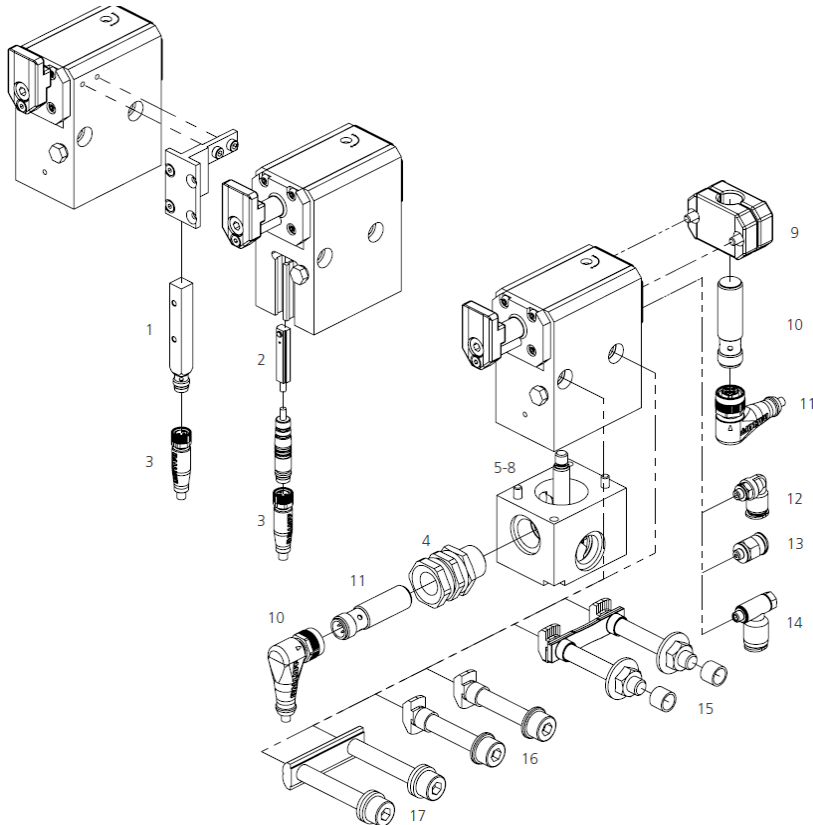


NO.	ORDER NO.	ACCESSORY	DESCRIPTION
1	75000004	Fastening set	
2	14010004	Air connection M5	For tubing external diameter Ø 6 mm
3	14010009	Air connection M5	For tubing external diameter Ø 6 mm
4	14010006	Delivery air connection M5	For tubing external diameter Ø 6 mm

Heat and cold resistant accessories upon request Subject to technical modification.

ASM -	60 -	EW - DW -	08 - 13 -	- H - K -	- I - E -	- KU -	- S -	Customer-specific no.
Product classification Type		Function EW = Single acting DW = double acting	Lowering stroke (mm)	Temperature range - = normal -20° bis +80° H = heat resistant -20° to +180° K = cold resistant -50° to +80°	Position sensing = without sensor I = inductive sensor E = electronic sensor	Stop plate - = Steel stop KU = plastic stop	Query - = without stop plate S = query stop plate retracted	Customer-specific
	Maximum ram pressure conveyor speed from 6m/min up to 60kg							

### Accessories

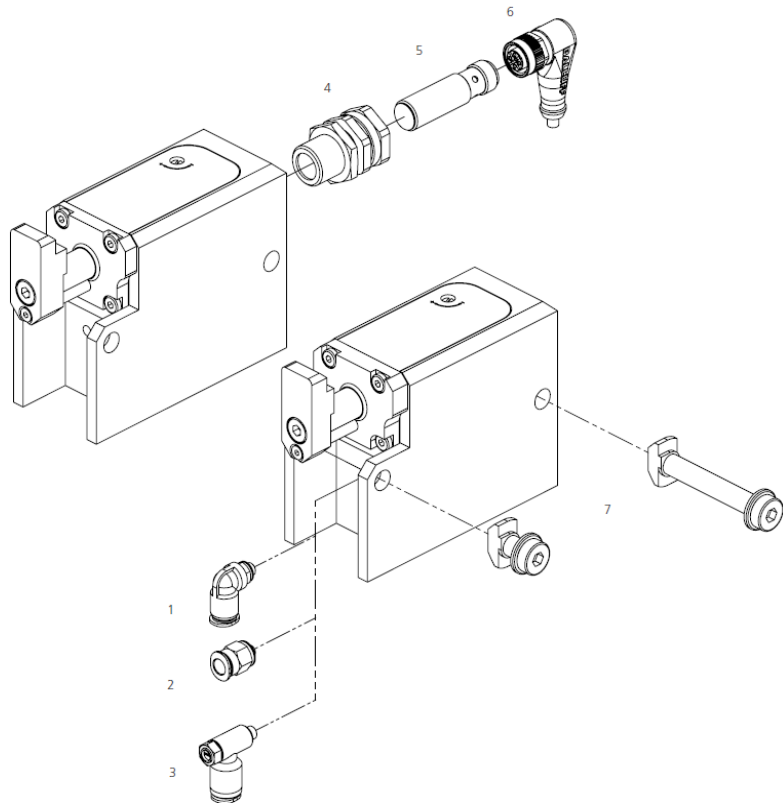


NO.	ORDER NO.	ACCESSORY	DESCRIPTION
1	15000003	Inductive sensor	8x8
2	15000000	Electronic sensor	
3	15010000	Connector M8x1	Length 5 mm
4	15030001	Clamping holder M16x1	Short version
5	75003010	Position detection	8 stroke (EW) (retrofit)
6	75003015	Position detection	13 stroke (EW) (retrofit)
7	75003016	Position detection	8 stroke (DW) (retrofit)
8	75003017	Position detection	13 stroke (DW) (retrofit)
9	75003005	Switch holder	For inductive proximity switch Ø 12 mm
10	15000001	Inductive proximity switch	M12X1
11	15010001	Connector M12x1	Length 5 mm
12	14010004	Air connection M5	For tubing external diameter Ø 6 mm
13	14010009	Air connection M5	For tubing external diameter Ø 6 mm
14	14010006	Delivery air connection M5	For tubing external diameter Ø 6 mm
15	75000001	Fastening set A	With long spacer sleeve and anti-twist device
16	75000002	Fastening set B	With short spacer sleeves
17	75000006	Fastening set	With long slot nuts

Heat and cold resistant accessories upon request Subject to technical modification.

ASM -	100 -	EW - DW -	08 -	- I - E -	Customerspecific no.
Product classification Type		Function EW = Single acting DW = double acting		Query - = without sensor I = Inductive sensor E = electronic sensor on demand	
	Maximum ram pressure conveyor speed from 6m/min up to 100kg		Lowering stroke (mm)		Customer specific

### Accessories

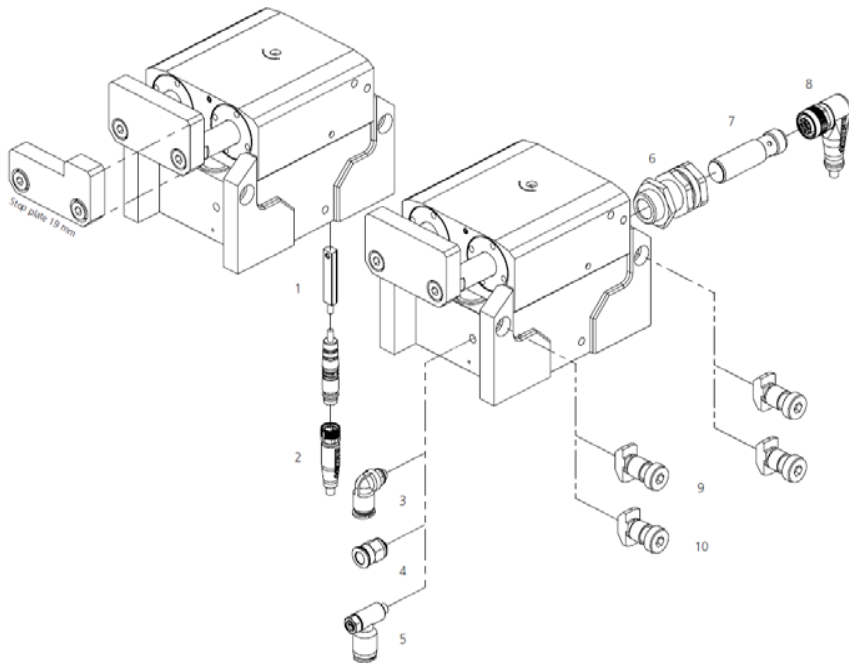


NO.	ORDER NO.	ACCESSORY	DESCRIPTION
1	14010004	Air connection M5	For tubing external diameter Ø 6 mm
2	14010009	Air connection M5	For tubing external diameter Ø 6 mm
3	14010006	Delivery air connection M5	For tubing external diameter Ø 6 mm
4	15030001	Clamping holder M16x1	Short version
5	15000001	Inductive proximity switch M12x1	
6	15010001	Connector M12x1	Length 5m
7	75000011	Fastening set	For tubing external diameter Ø 6 mm

Heat and cold resistant accessories upon request Subject to technical modification.

ASM -	160 -	EW - DW -	09 -	I - E -	- A19 -	Customerspecific no.
Product classification Type		Function EW = single acting DW = double acting		Query I = inductive sensor E = electronic sensor		Customerspecific
	Maximum ram pressure conveyor speed from 6m/min up to 160kg		Lowering stroke (mm)		Stop plate width - = Steel stop plate 37mm A19 = Steel stop plate 19mm	

### Accessories

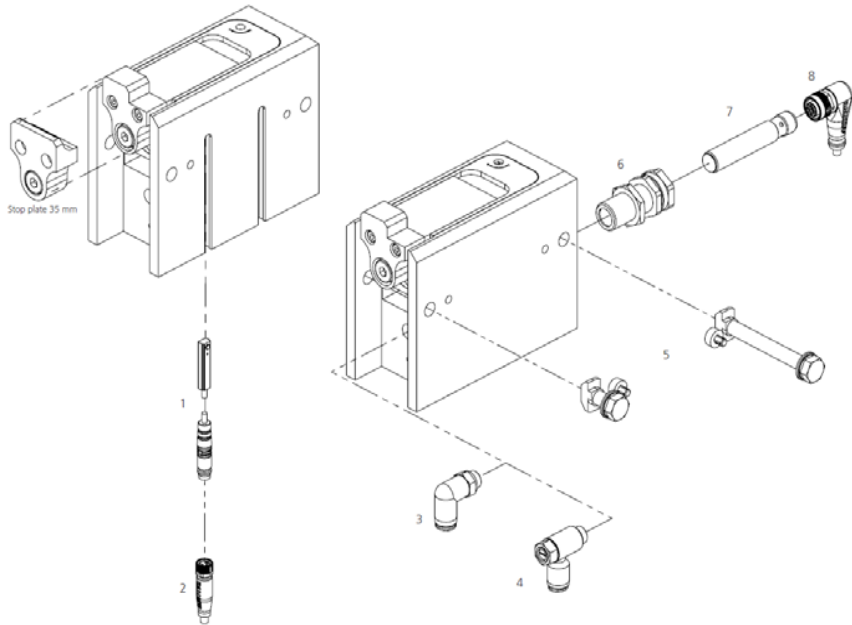


NO.	ORDER NO.	ACCESSORY	DESCRIPTION
1	15000000	Electronic sensor	
2	15010000	Connector M8x1	Length 5 m
3	14010004	Air connection M5	For tubing external diameter Ø 6 mm
4	14010009	Air connection M5	For tubing external diameter Ø 6 mm
5	14010006	Delivery air connection M5	For tubing external diameter Ø 6 mm
6	15030001	Clamping holder M16x1	Short version
7	15000001	Inductive proximity switch	Ø 12 mm
8	15010001	Connector M12x1	Length 5 m
9	75000012	Fastening set A	With long spacer sleeves
10	75000013	Fastening set B	With short spacer sleeves

Heat and cold resistant accessories upon request Subject to technical modification.

ASM -	250 -	EW - DW -	10 -	- H - K -	I - E -	- A35 -	Customerspecific no.
Product classification Type		Function EW = Single acting DW = double acting		Temperature range - = normal - 20° to +80° H = heat resistant - 20° to +180° K = cold resistant- 50° to +80°		Stop plate width - = 21mm A35 = 35mm	
	Maximum ram pressure conveyor speed from 6m/min up to 250kg		Lowering stroke (mm)		Query - = Inductive sensor E = electronic sensor		Customer-specific

### Accessories

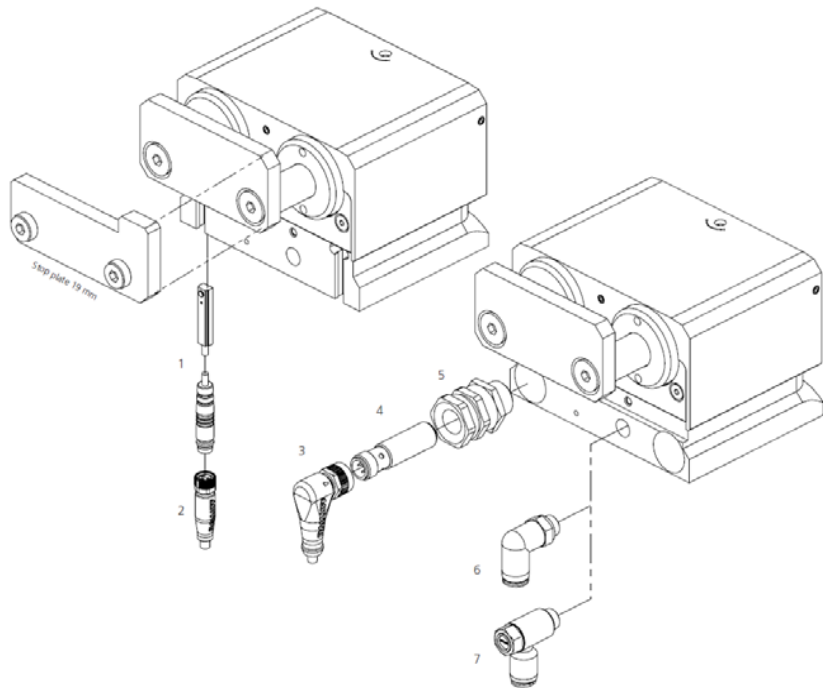


NO.	ORDER NO.	ACCESSORY	DESCRIPTION
1	15000000	Electronic sensor	
2	15010000	Connector M8x1	Length 5 m
3	14010008	Air connection G1/8	For tubing external diameter Ø 6 mm
4	14010005	Delivery air connection G1/8	For tubing external diameter Ø 6 mm
5	75000025	Fastening set	
6	15020002	Clamping holder M16x1	Long version
7	15000002	Inductive Proximity switch	Ø 12 mm
8	15010001	Connector M12x1	Length 5 m

Heat and cold resistant accessories upon request Subject to technical modification.

ASM -	260 -	EW - DW -	09 -	I - E -	- A19 -	Customerspecific no.
Product classification Type	Maximum ram pressure conveyor speed from 6m/min up to 260kg	Function EW = Single acting DW = double acting	Lowering stroke (mm)	Query - = without sensor E = electronic sensor on demand	Stop plate width - = Steel stop plate 82mm A19 = Steel stop plate 19mm	Customerspecific

### Accessories



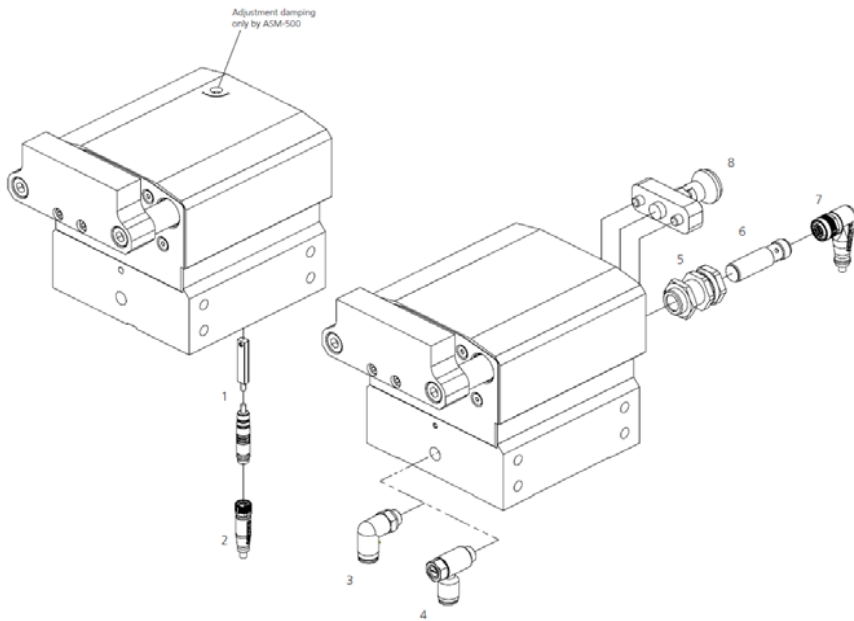
NO.	ORDER NO.	ACCESSORY	DESCRIPTION
1	1500000	Electronic sensor	
2	1501000	Connector M8x1	Length 5 m
3	1501001	Connector M12x1	Length 5 m
4	1500001	Inductive Proximity switch M12x1	
5	1503001	Clamping holder M16x1	Short version
6	1401008	Air connection G1/8	For tubing external diameter Ø 6 mm
7	1401005	Delivery air connection G1/8	For tubing external diameter Ø 6 mm

Heat and cold resistant accessories upon request Subject to technical modification.



ASM -	500 - 1200 -	EW - DW -	15 -	I - E -	Customerspecific no.
Product classification Type		Function EW = Single acting DW = double acting		Query - = inductive sensor E = electronic sensor	
	Maximum ram pressure conveyor speed from 6 m/min up to 500kg from 9 m/min up to 1200kg		Lowering stroke (mm)		Customerspecific





### Accessories



NO.	ORDER NO.	ACCESSORY	DESCRIPTION
1	1500000	Electronic sensor	
2	1501000	Connector M8x1	Length 5 m
3	1401008	Air connection G1/8	For tubing external diameter Ø 6 mm
4	1401005	Delivery air connection G1/8	For tubing external diameter Ø 6 mm
5	1503001	Clamping holder M16x1	Short version
6	1500001	Inductive proximity switch M12x1	
7	1501001	Connector M12x1	Length 5 m
8	7500900	Indexing unit	

Heat and cold resistant accessories upon request Subject to technical modification.

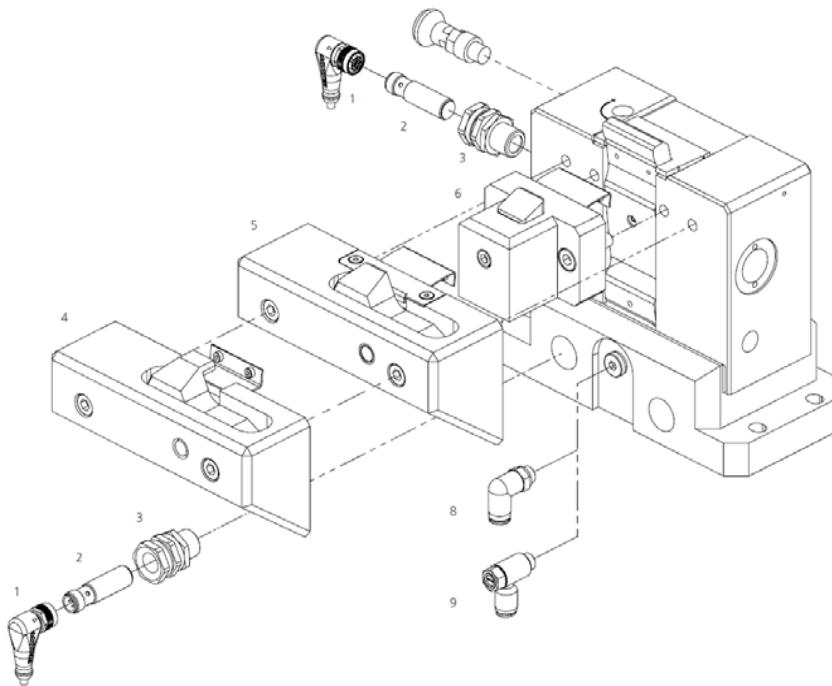
# Pneumatic damped stoppers\_For Roller conveyor system

	Basic product	Lowering stroke	Damping stroke	Scope of application		Variants
				at	Weight	
	ASMR-400	15mm		06 m/min 09 12 18 24 30 36 50	15 - 400kg 15 - 300 15 - 250 15 - 200 15 - 110 15 - 65 15 - 50 15 - 30	EW/DW  cust.-spec solutions var. access.
	ASMR-600	15mm		06 m/min 09 12 18 24 30 36 50	15 - 600kg 15 - 500 15 - 380 15 - 205 15 - 130 15 - 90 15 - 60 15 - 35	EW/DW  cust.-spec solutions var. access.
	ASMR-1000	15mm		06 m/min 09 12 18 24 30 36 50	50 - 1000kg 50 - 900 50 - 700 50 - 350 50 - 200	EW/DW  cust.-spec solutions var. access.
	ASMR-1000- EW-15-002	15mm		06 m/min 09 12 18 24 30 36 50	50 - 1000kg 50 - 900 50 - 700 50 - 350 50 - 200	EW/DW  cust.-spec solutions var. access.

EW single-acting  
DW double-acting

ASMR -	400 -	EW - DW -	15 -	Customerspecific no.
Product classification Type		Function EW = Single acting DW = double acting		Customer specific
	Maximum ram pressure conveyor speed from 6 m/min up to 400kg		Lowering stroke (mm)	

### Accessories

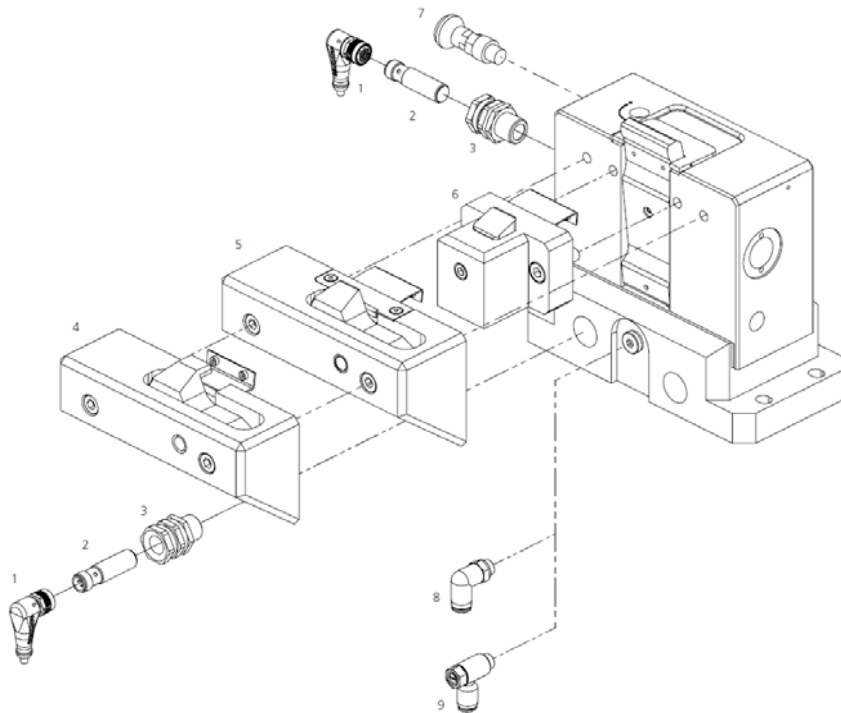


NO.	ORDER NO.	ACCESSORY	DESCRIPTION
1	15010001	Connector M12x1	Length 5 m
2	15000001	Inductive proximity switch M12x1	
3	15030001	Clamping holder M16x1	Short version
4	75010001	Return stop for workpiece stop plate	25 mm
5	75010000	Return stop for workpiece stop plate	40 mm
6	ASR-010	Return stop for workpiece stop plate	40 mm
7	75009001	Indexing unit	
8	14010008	Air connection G1/8	For tubing external diameter Ø 6 mm
9	14010005	Delivery air connection G1/8	For tubing external diameter Ø 6 mm

Heat and cold resistand accessories upon request Subject to technical modification.

ASMR -	600 -	EW - DW -	15 -	Customerspecific no.
Product classification Type		Function EW = Single acting DW = double acting on demand		Customerspecific
	Maximum ram pressure conveyor speed from 6 m/min up to 600kg		Lowering stroke (mm)	

### Accessories

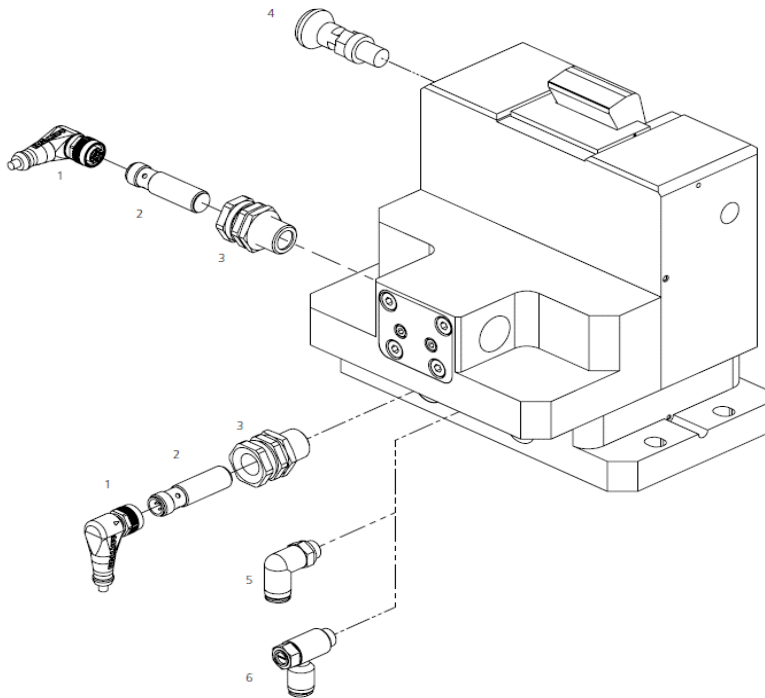


NO.	ORDER NO.	ACCESSORY	DESCRIPTION
1	15010001	Connector M12x1	Length 5 m
2	15000001	Inductive proximity switch M12x1	
3	15030001	Clamping holder M16x1	Short version
4	75010001	Return stop for workpiece stop plate	25 mm
5	75010000	Return stop for workpiece stop plate	40 mm
6	ASR-010	Return stop for workpiece stop plate	40 mm
7	75009001	Indexing unit	
8	14010008	Air connection G1/8	For tubing external diameter Ø 6 mm
9	14010005	Delivery air connection G1/8	For tubing external diameter Ø 6 mm

Heat and cold resistant accessories upon request Subject to technical modification.

ASMR -	1000 -	EW - DW -	15 -	Customerspecific no.
Product classification Type	Maximum ram pressure conveyor speed from 9 m/min up to 1000kg	Function EW = Single acting DW = double acting on demand	Lowering stroke (mm)	Customer specific

### Accessories

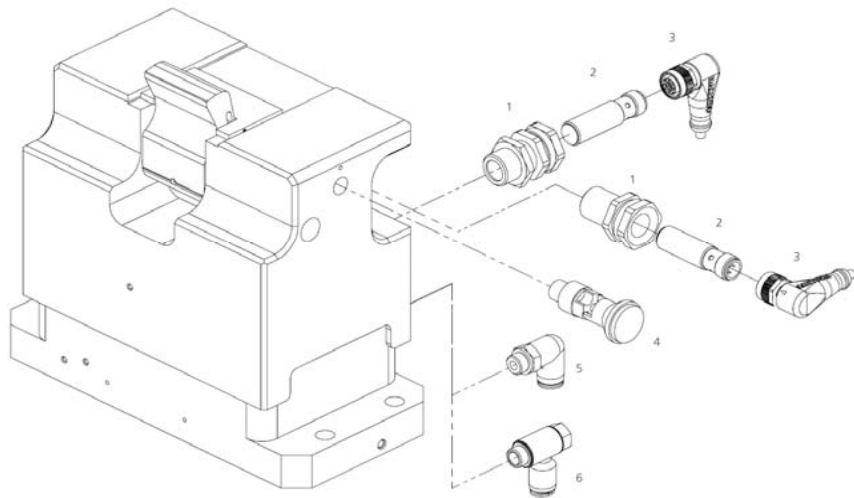


NO.	ORDER NO.	ACCESSORY	DESCRIPTION
1	15010001	Connector M12x1	Length 5 m
2	15000001	Inductive proximity switch M12x1	
3	15030001	Clamping holder M16x1	Short version
4	75009004	Indexing unit	
5	14010008	Air connection G1/8	For tubing external diameter Ø 6 mm
6	14010005	Deliveru air connector G1/8	For tubing external diameter Ø 6 mm

Heat and cold resistand accessories upon request Subject to technical modification.

ASMR -	1000 -	EW - DW -	15 -	002
Product classification Type	Maximum ram pressure conveyor speed from 9 m/min up to 1000kg	Function EW = Single acting DW = double acting on demand	Lowering stroke (mm)	Customer-specific

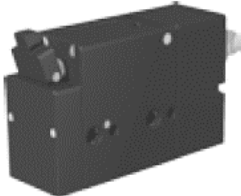

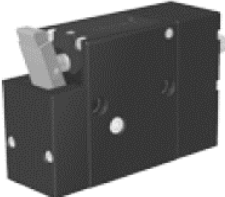
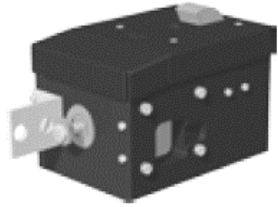
### Accessories



NO.	ORDER NO.	ACCESSORY	DESCRIPTION
1	15030001	Clamping holder M16x1	Short version
2	15000001	Inductive proximity switch M12x1	
3	15010001	Connector M12x1	Length 5 m
7	75009004	Indexing unit	
8	14010008	Air connection G1/8	For tubing external diameter Ø 6 mm
9	14010005	Deliveru air connector G1/8	For tubing external diameter Ø 6 mm


Heat and cold resistand accessories upon request Subject to technical modification.

# Electrical damped stoppers\_Separating stop

	Basic product	Lowering stroke	Electrical connection	Scope of application		Variants
				at	Weight	
	ASMELE-20	7mm	8=1x8pole M12x1 plug 5=2x5pole M12x1 plug	06 m/min 09 12 18 24 30 36 50	0,25 -20kg 0,25 - 10 0,25 - 7 0,25 - 3,5 0,25 - 2,5 0,25 - 2,0 0,25 - 1,0	DW 8/5  cust.-spec solutions var. access.
	ASMELE-50	9mm	8=1x8pole M12x1 plug 5=2x5pole M12x1 plug	06 m/min 09 12 18 24 30 36 50	1 - 50kg 1 - 35 1 - 30 1 - 18 1 - 12 1 - 8 1 - 5	DW 8/5  cust.-spec solutions var. access.
	ASMELE-100	9mm	8=1x8pole M12x1 plug 5=2x5pole M12x1 plug	06 m/min 09 12 18 24 30 36 50	3 - 100kg 3 - 70 3 - 60 3 - 50 3 - 45 3 - 30 3 - 20	DW 8/5  cust.-spec solutions var. access.
	ASMELE-800	10mm	n/a	06 m/min 09 12 18 24 30 36 50	20 - 800kg 20 - 450 20 - 200 20 - 150 20 - 100 20 - 45	EW I  cust.-spec solutions var. access.

EW single-acting  
 DW double-acting  
 I prepared for inductive  
 position sensor

# Electrical damped stoppers\_Separating stop

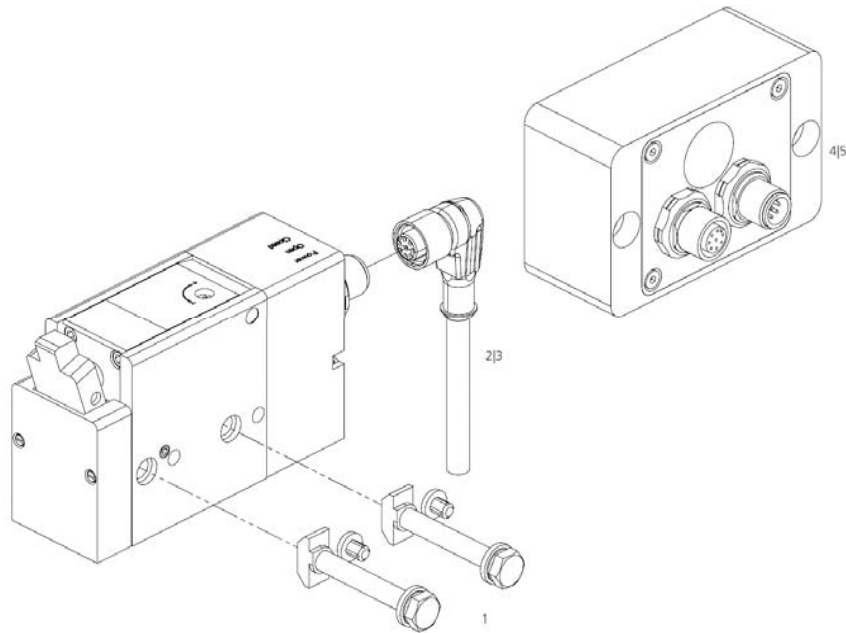
	Basic product	Lowering stroke	Damping stroke	Scope of application		Variants
				at	Weight	
	ASMELE-1000	9mm		06 m/min		EW
				09	40 - 1000	I
				12	40 - 830	
				18	40 - 500	
				24	40 - 250	cust.-spec
				30	40 - 120	solutions
				36	40 - 60	var. access.
				50		

EW single-acting  
 DW double-acting  
 I prepared for inductive position sensor



ASMELE -	20 -	DW -	D07 -	8 - 5 -	Customerspecific no.
Product classification Type		Function DW = double acting		Electrical connection 8 = 1x8 pole M12x1 plug 5 = 2x5 pole M12x1 plug	
	Maximum ram pressure conveyor speed from 6 m/min up to 20kg		Lowering stroke (mm)		Customerspecific

### Accessories

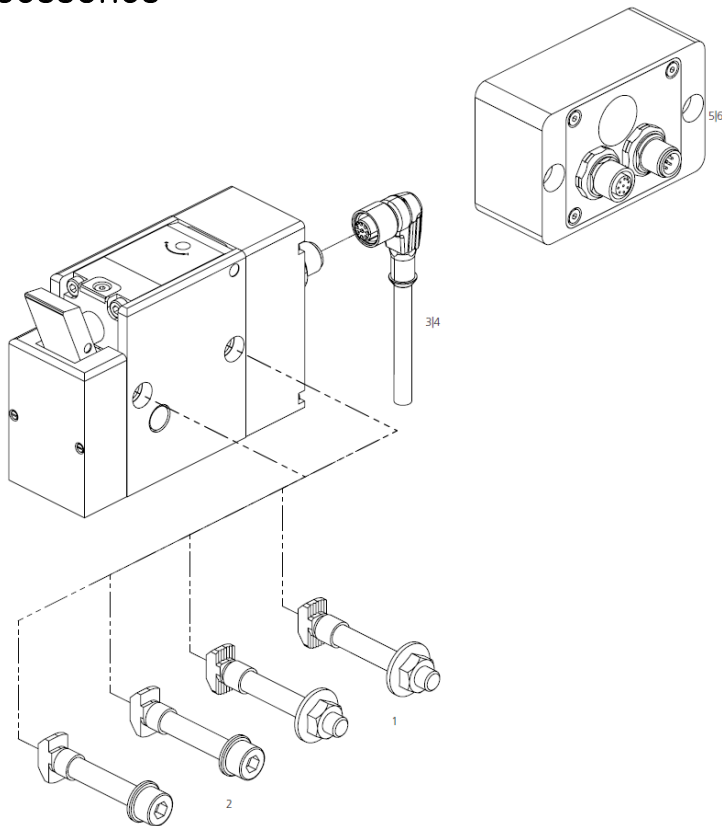


NO.	ORDER NO.	ACCESSORY	DESCRIPTION
1	75000004	Fastening set	
2	15010002	8-pole M12x1 plug	Length: 5meter with bunched conductors
3	15010003	5-pole M12x2 plug	Length: 5meter with bunched conductors
4	76000004	Emergency stop module *	8-pole
5	76000005	Emergency stop module *	5-pole

\* Emergency stop module: Separator moves during a power failure in the desired position

ASMELE -	50 -	DW -	D09 -	8 - 5 -	Customerspecific no.
Product classification Type		Function DW = double acting		Electrical connection 8 = 1x8 pole M12x1 plug 5 = 2x5 pole M12x1 plug	
	Maximum ram pressure conveyor speed from 6 m/min up to 50kg		Lowering stroke (mm)		Customerspecific

### Accessories

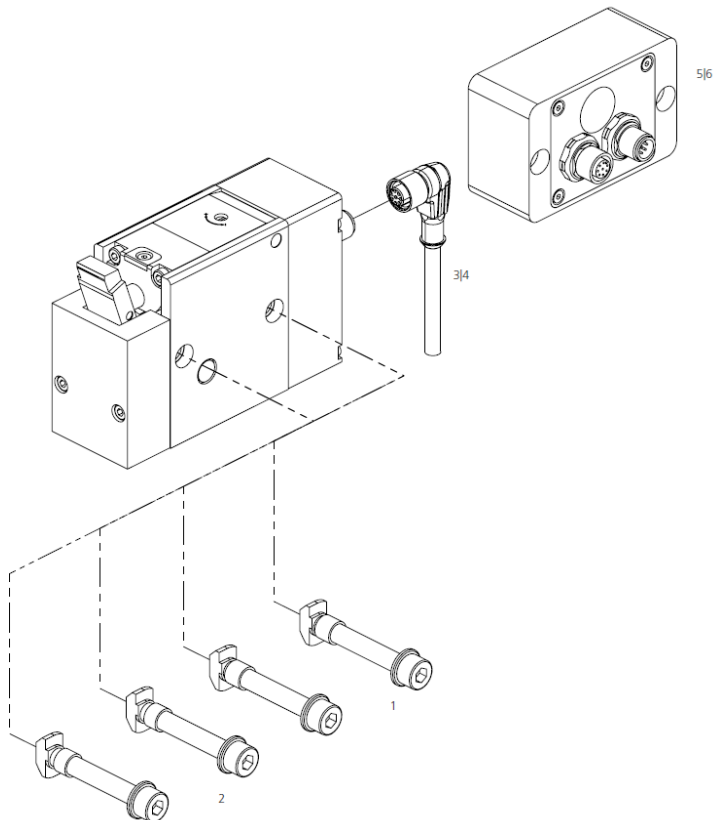


NO.	ORDER NO.	ACCESSORY	DESCRIPTION
1	75000001	Fastening set A	With long spacer sleeves
2	75000002	Fastening set B	With short spacer sleeves
3	15010002	8-pole M12x1 plug	Length: 5meter with bunched conductors
4	15010003	5-pole M12x1 plug	Length: 5meter with bunched conductors
5	76000004	Emergency stop module *	8-pole
6	76000005	Emergency stop module *	5-pole

\* Emergency stop module: Separator moves during a power failure in the desired position

ASMEL –	100 –	DW –	D09 –	8 – 5 –	Customerspecific no.
Product classification Type		Function DW = double acting		Electrical connection 8 = 1x8 pole M12x1 plug 5 = 2x5 pole M12x1 plug	
	Maximum ram pressure conveyor speed from 6 m/min up to 100kg		Lowering stroke (mm)		Customerspecific

Accessories

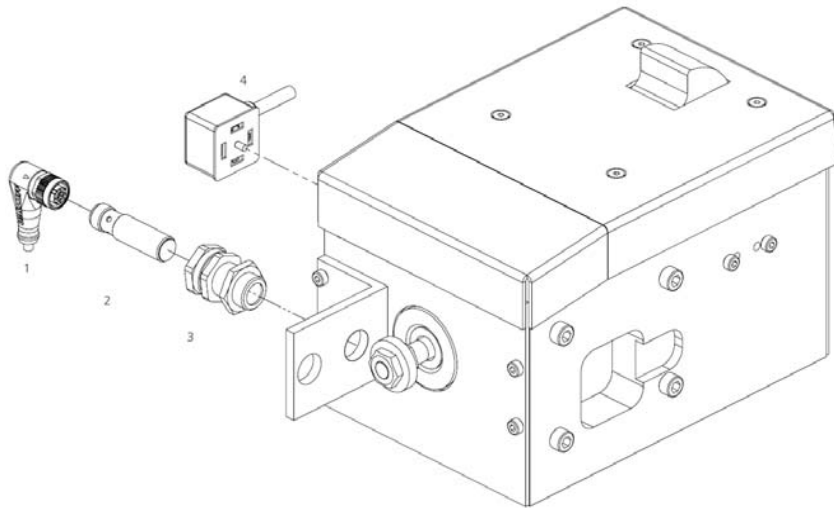


NO.	ORDER NO.	ACCESSORY	DESCRIPTION
1	75000020	Fastening set A	With short spacer sleeves
2	75000021	Fastening set B	With short spacer sleeves
3	15010002	8-pole M12x1 plug	Length: 5meter with bunched conductors
4	15010003	5-pole M12x1 plug	Length: 5meter with bunched conductors
5	76000004	Emergency stop module *	8-pole
6	76000005	Emergency stop module *	5-pole

\* Emergency stop module: Separator moves during a power failure in the desired position

ASMEl -	800 -	DW -	D10 -	I -	Customerspecific no.
Product classification Type	Function EW = single acting			Query I = inductive sensor	
	Maximum ram pressure conveyor speed from 9 m/min up to 800kg		Lowering stroke (mm)		Customerspecific

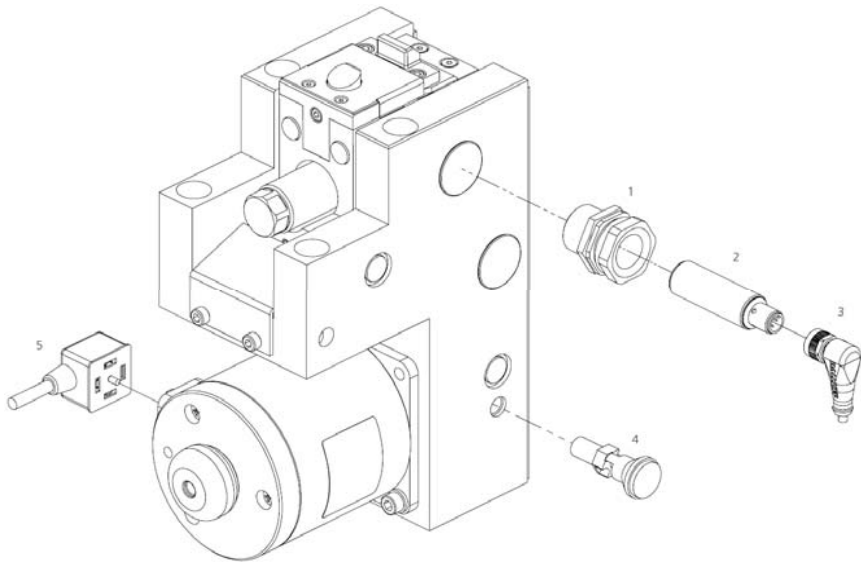
### Accessories



NO.	ORDER NO.	ACCESSORY	DESCRIPTION
1	15010001	Connector M12x1	Length 5 m
2	15000001	Inductive proximity switch	M12X1
3	15030001	Clamping holder M16x1	Short version
4	15010004	Solenoid valve connector	Length 5



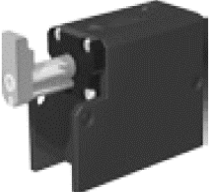

ASME1 -	1000 -	EW -	D09 -	I -	Customerspecific no.
Product classification Type		Function EW = single acting		Query I = inductive sensor	
	Maximum ram pressure conveyor speed from 9 m/min up to 1000kg		Lowering stroke (mm)		Customerspecific

### Accessories



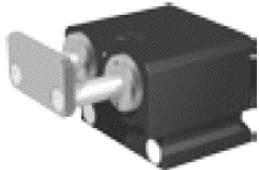
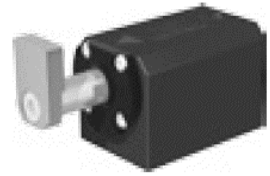
NO.	ORDER NO.	ACCESSORY	DESCRIPTION
1	15020006	Clamping holder M24x1.5	Short version
2	15000021	Inductive proximity switch	M18X1
3	15010001	Connector M12x1	Length 5 m
4	10091002	Indexing unit	
5	15010004	Solenoid valve connector	Length 5 m

# Pneumatic damped stoppers\_Separating stop

	Basic product	Lowering stroke	Damping stroke	Scope of application		Variants
				at	Weight	
	ASMHS-15	7mm		06 m/min	0,25 – 20kg	EW/DW
				09	0,25 – 13	H/K
				12	0,25 – 11	
				18	0,25 – 9	
				24	0,25 – 8	cust.-spec
				30	0,25 – 5	solutions
				36	0,25 – 3	var. access.
				50	0,25 – 1,5	
	ASMHS-60	8mm 13mm		06 m/min	1 – 70 kg	EW/DW
				09	1 – 45	H/K
				12	1 – 40	I/E
				18	1 – 35	KU
				24	1 – 28	S
				30	1 – 21	cust.-spec
				36	1 – 12	solutions
				50	1 – 6	var. access.
	ASMHS-100	8mm		06 m/min	5 – 140kg	EW/DW
				09	5 – 100	I
				12	5 – 85	
				18	5 – 70	
				24	5 – 55	cust.-spec
				30	5 – 42	solutions
				36	5 – 25	var. access.
				50	5 – 13	
	ASMHS-160	9mm		06 m/min	5 – 220kg	EW/DW
				09	5 – 150	I/E
				12	5 – 135	A19
				18	5 – 125	
				24	5 – 80	cust.-spec
				30	5 – 55	solutions
				36	5 – 50	var. access.
				50	5 – 25	

EW	single-acting	I	prepared for inductive	KL plastic stop
DW	double-acting		position sensor	S query stop plate retracted
H	heat-resistant	E	prepared for electronic	A1 steel stop, 19 mm wide
K	cold-resistant		position sensor	

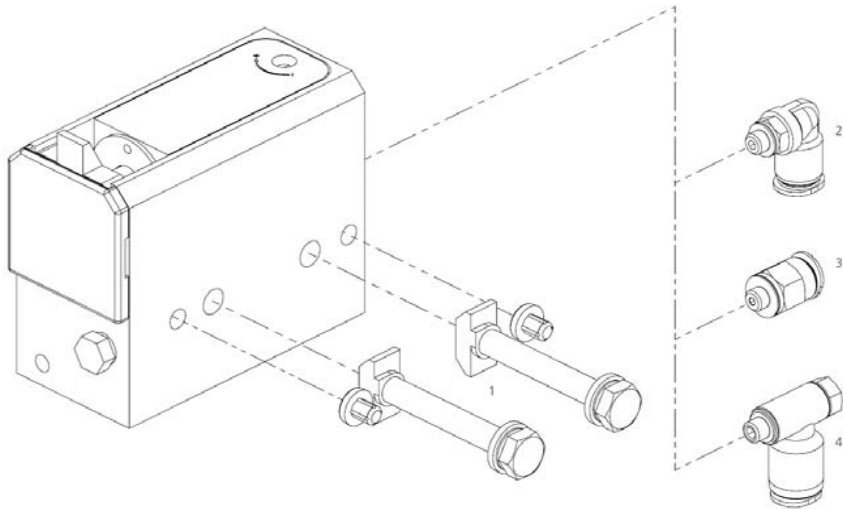
# Pneumatic/Electrical damped stoppers\_Separating/Angle stop

	Basic product	Lowering stroke	Damping stroke	Scope of application		Variants
				at	Weight	
	ASMHS-260	9mm		06 m/min	10 – 360kg	EW/DW
				09	10 – 335	I/E
				12	10 – 300	A19
				18	10 – 275	
				24	10 – 170	cust.-spec
				30	10 – 100	solutions
				36	10 – 75	var. access.
				50	10 – 45	
	ASMEHS-60	n/a		06 m/min	1 – 70	
				09	1 – 45	W
				12	1 – 40	H/K
				18	1 – 35	
				24	1 – 28	cust.-spec
				30	1 – 21	solutions
				36	1 – 12	var. access.
				50	1 – 6	

EW	single-acting	I	prepared for inductive position sensor	A1 steel stop, 19 mm wide
DW	double-acting			W angle steel stop plate
H	heat-resistant	E	prepared for electronic position sensor	
K	cold-resistant			

ASMHS -	15 -	EW - DW -	07 -	- H - K -	Customerspecific no.
Product classification Type		Function EW = single acting DW = double acting		Temperature range - = normal -20° to +80° H = heat resistant -20° to +180° K = cold resistant -50° to +80°	
	Maximum ram pressure conveyor speed from 6 m/min up to 20kg		Lowering stroke (mm)		Customerspecific

### Accessories



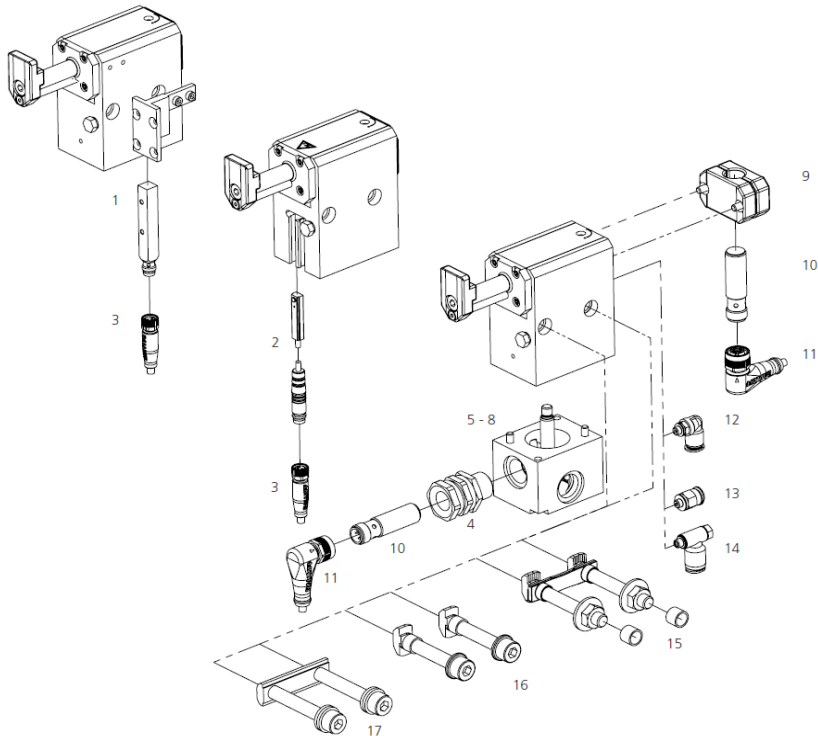
NO.	ORDER NO.	ACCESSORY	DESCRIPTION
1	75000004	Fastening set	
2	14010004	Air connection M5	For tubing external diameter Ø 6 mm
3	14010009	Air connection M5	For tubing external diameter Ø 6 mm
4	14010006	Delivery air connection M5	For tubing external diameter Ø 6 mm

Heat and cold resistand accessories upon request Subject to technical modification.



ASMHS -	60 -	EW - DW -	08 - 13 -	- H - K -	- I - E -	- KU -	- S -	Customer-specific no.
Product classification Type	Function EW = Single acting DW = double acting		Temperature range - = normal - 20° to +80° H = heat resistant - 20° to +180° K = cold resistant - 50° to +80°		Stop plate - = Steel stop KU = plastic stop		Customer-specific	
	Maximum ram pressure conveyor speed from 6m/min up to 70kg	Lowering stroke (mm)		Position sensing - = without sensor I = Inductive sensor E = Electronic sensor		Query S = query stop plate retracted		

### Accessories

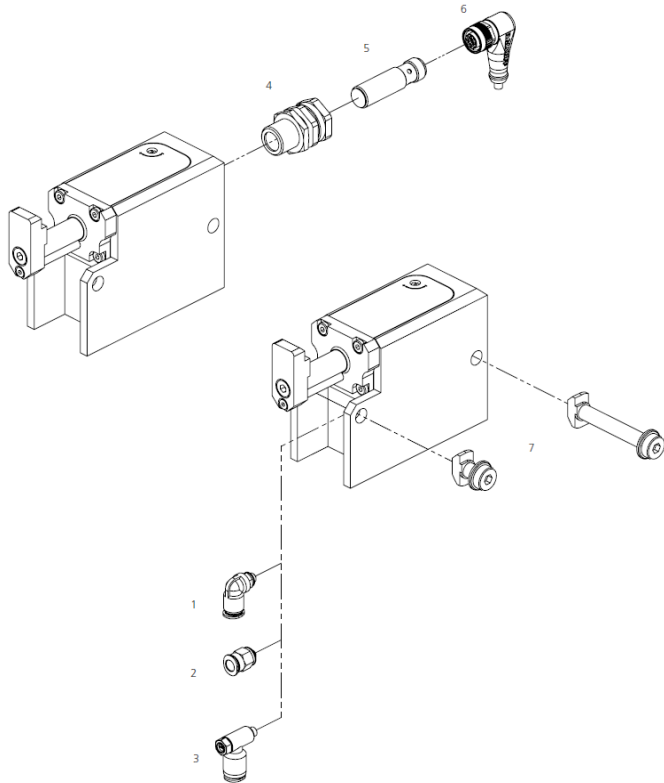


NO.	ORDER NO.	ACCESSORY	DESCRIPTION
1	15000003	Inductive sensor	8x8
2	15000000	Electronic sensor	
3	15010000	Connector M8x1	Length 5 mm
4	15030001	Clamping holder M16x1	Short version
5	75003010	Position detection	8 stroke (EW) (retrofit)
6	75003015	Position detection	13 stroke (EW) (retrofit)
7	75003016	Position detection	8 stroke (DW) (retrofit)
8	75003017	Position detection	13 stroke (DW) (retrofit)
9	75003005	Switch holder	For inductive proximity switch Ø12 mm
10	15000001	Inductive proximity switch	M12X1
11	15010001	Connector M12x1	Length 5 mm
12	14010004	Air connection M5	For tubing external diameter Ø 6 mm
13	14010009	Air connection M5	For tubing external diameter Ø 6 mm
14	14010006	Delivery air connection M5	For tubing external diameter Ø 6 mm
15	75000001	Fastening set A	With long spacer sleeve
16	75000002	Fastening set B	With short spacer sleeves
17	75000006	Fastening set	With long slot nuts

Heat and cold resistant accessories upon request Subject to technical modification.

ASMHS -	100 -	EW - DW -	08 -	I	Customerspecific no
Product classification Type		Function EW = Single acting DW = double acting		Query I = nductive sensor	
	Maximum ram pressure conveyor speed from 6m/min up to 140kg		Lowering stroke (mm)		Customerspecific

### Accessories

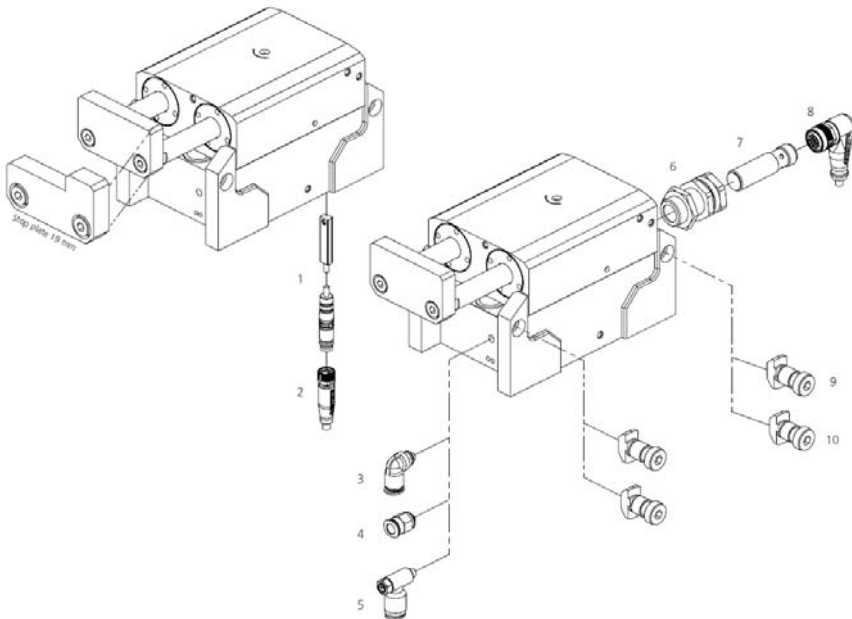


NO.	ORDER NO.	ACCESSORY	DESCRIPTION
1	14010004	Air connection M5	For tubing external diameter Ø 6 mm
2	14010009	Air connection M5	For tubing external diameter Ø 6 mm
3	14010006	Delivery air connection M5	For tubing external diameter Ø 6 mm
4	15030001	Clamping holder M16x1	Short version
5	15000001	Inductive proximity switch M12x1	
6	15010001	Connector M12x1	Length 5 m
7	75000011	Fastening set	

Heat and cold resistand accessories upon request Subject to technical modification.

ASMHS -	160 -	EW - DW -	09 -	I - E -	- A19 -	Customerspecific no
Product classification Type		Function EW = Single acting DW = double acting acting on demand		Query - = Inductive sensor E = electronic sensor		Customerspecific
	Maximum ram pressure conveyor speed from 6m/min up to 220kg		Lowering stroke (mm)		Stop plate width - = Steel stop plate 57mm A19 = Steel stop plate 19 mm	

### Accessories

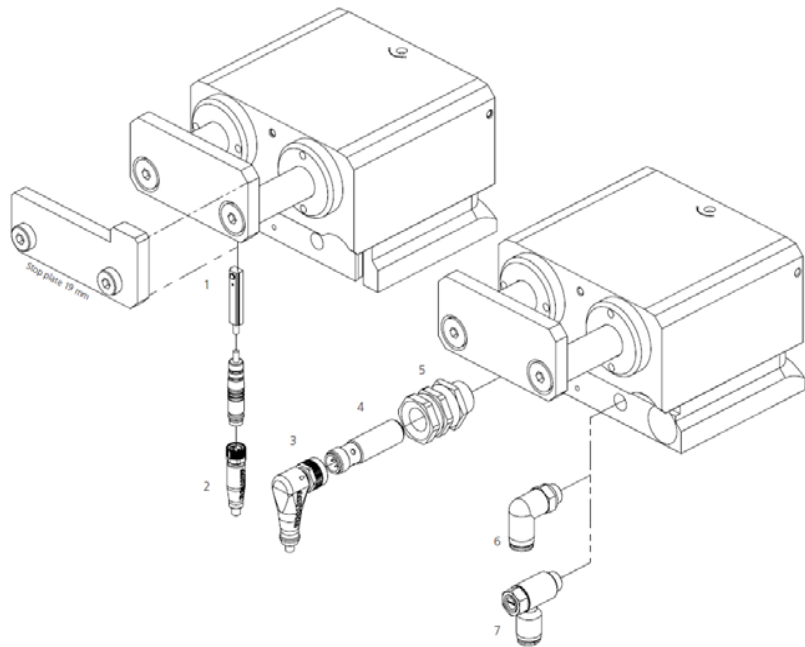


NO.	ORDER NO.	ACCESSORY	DESCRIPTION
1	1500000	Electronic sensor	
2	1501000	Connector M8x1	Length 5 m
3	14010004	Air connection M5	For tubing external diameter Ø 6 mm
4	14010009	Air connection M5	For tubing external diameter Ø 6 mm
5	14010006	Delivery air connection M5	For tubing external diameter Ø 6 mm
6	15030001	Clamping holder M16x1	Short version
7	15000001	Inductive proximity switch	Ø 12 mm
8	15010001	Connector M12x1	Length 5 m
9	75000012	Fastening set A	With long spacer sleeves
10	75000013	Fastening set B	With long spacer sleeves

Heat and cold resistant accessories upon request Subject to technical modification.

ASMHS -	260 -	EW - DW -	09 -	I - E -	- A19 -	Customerspecific no.
Product classification Type		Function EW = Single acting DW = double acting on demand		Query - = inductive sensor E = electronic sensor		Customer-specific
	Maximum ram pressure conveyor speed from 6m/min up to 360kg		Lowering stroke (mm)		Stop plate width - = Steel stop plate 82mm A19 = Steel stop plate 19mm	

### Accessories

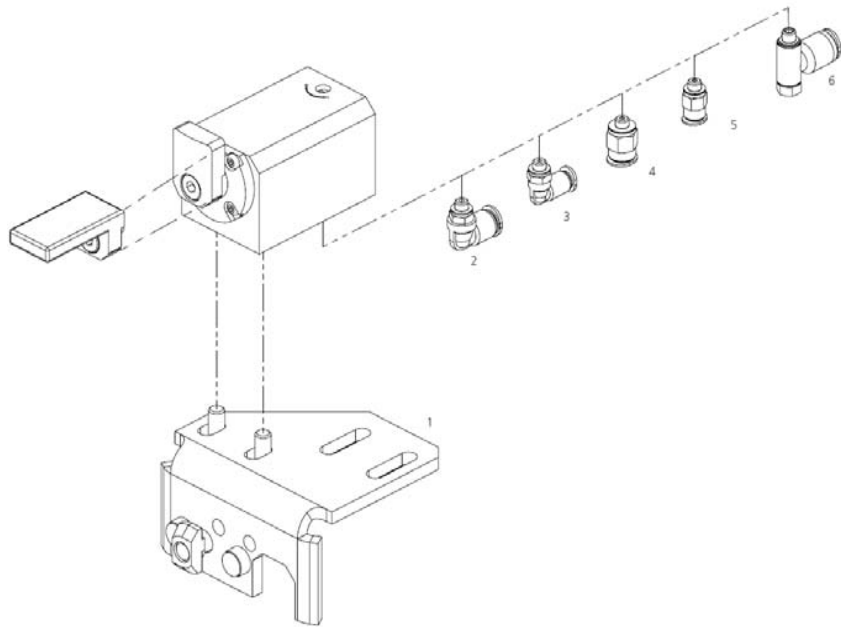


NO.	ORDER NO.	ACCESSORY	DESCRIPTION
1	1500000	Electronic sensor	
2	1501000	Connector M8x1	Length 5 m
3	1501001	Connector M12x1	Length 5 m
4	1500001	Inductive Proximity switch M12x1	
5	1503001	Clamping holder M16x1	Short version
6	1401008	Air connection G1/8	For tubing external diameter Ø 6 mm
7	1401005	Delivery air connection G1/8	For tubing external diameter Ø 6 mm

Heat and cold resistant accessories upon request Subject to technical modification.

ASMEHS -	60 -	- W -	- H - K -	Customerspecific no.
Product classification Type		<b>Stop plate</b> - = Steel stop plate W = Angle steel stop plate		Customerspecific
	<b>Maximum ram pressure</b> conveyor speed from 6 m/min up to 70kg		<b>Temperature range</b> - = normal - 20° to +80° H = heat resistant - 20° to +180° K = cold resistant- 50° to +80°	


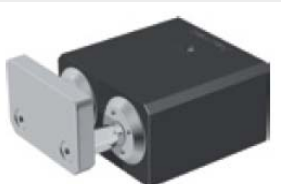

### Accessories



NO.	ORDER NO.	ACCESSORY	DESCRIPTION
1	75000029	Fastening set	
2	14010004	Air connection M5	For tubing external diameter Ø 6 mm
3	14010016	Air connection M5	For tubing external diameter Ø 4 mm
4	14010009	Air connection M5	For tubing external diameter Ø 6 mm
5	14010019	Air connection M5	For tubing external diameter Ø 4 mm
6	14010006	Air connection M5	For tubing external diameter Ø 6 mm

Heat and cold resistant accessories upon request Subject to technical modification.

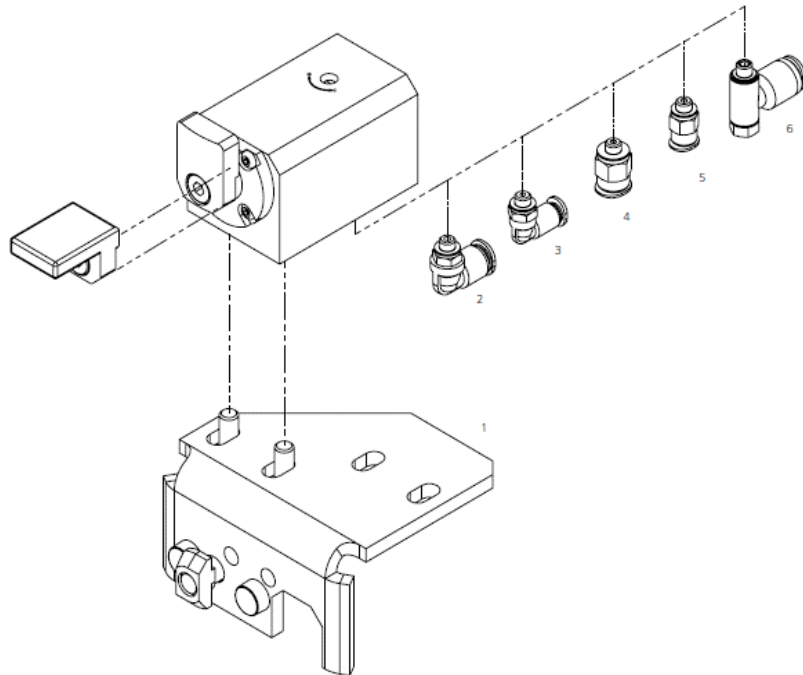
# Pneumatic damped stoppers\_Angle dampers

	Basic product	Lowering stroke	Damping stroke	Scope of application		Variants	
				at	Weight		
	ASME-60	n/a		06 m/min	1 – 60 kg	W	
				09	1 – 40	H/K	
				12	1 – 35	cust.-spec.	
				18	1 – 30	solutions	
				24	1 – 24	var. access.	
				30	1 – 18		
				36	1 – 10		
				50	1 – 5		
	ASME-150	n/a		06 m/min	5 – 150kg	H/K	
				09	5 – 100		
				12	5 – 90		
				18	5 – 90		
				24	5 – 55		cust.-spec.
				30	5 – 35		solutions
				36	5 – 25		var. access.
				50	5 – 14		
	ASME-270	n/a		06 m/min	10 – 270kg	H/K	
				09	10 – 220	cust.-spec.	
				12	10 – 200	solutions	
				18	10 – 180	var. access.	
				24	10 – 110		
				30	10 – 70		
				36	10 – 50		
				50	10 – 30		

H heat-resistant  
 K cold-resistant  
 W angle stop

ASME -	60 -	- W -	- H - K -	Customerspecific no.
Product classification Type		Stop plate - = Steel stop plate W = Angle steel stop plate		Customerspecific
	Maximum ram pressure conveyor speed from 6 m/min up to 60kg		Temperature range - = normal - 20° to +80° H = heat resistant - 20° to +180° K = cold resistant- 50° to +80°	

### Accessories

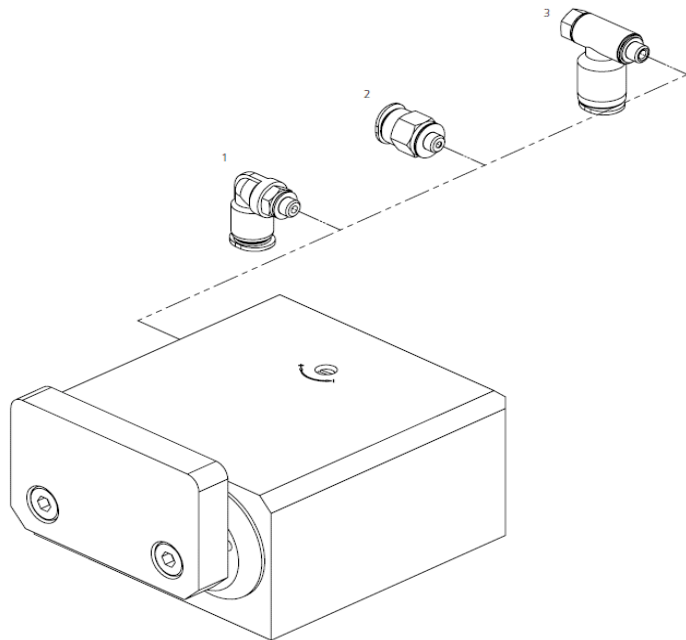


NO.	ORDER NO.	ACCESSORY	DESCRIPTION
1	75000028	Fastening set	
2	14010004	Air connection M5	For tubing external diameter Ø 6 mm
3	14010016	Air connection M5	For tubing external diameter Ø 4 mm
4	14010009	Air connection M5	For tubing external diameter Ø 6 mm
5	14010019	Air connection M5	For tubing external diameter Ø 4 mm
6	14010006	Air connection M5	For tubing external diameter Ø 6 mm

Heat and cold resistant accessories upon request Subject to technical modification.

ASME -	150 -	- H - K -	Customerspecific no.
Product classification Type	Maximum ram pressure Conveyor speed from 6 m/min up to 150kg	Temperature range - = normal - 20° to +80° H = heat resistant - 20° to +180° K = cold resistant- 50° to +80°	Customerspecific

### Accessories



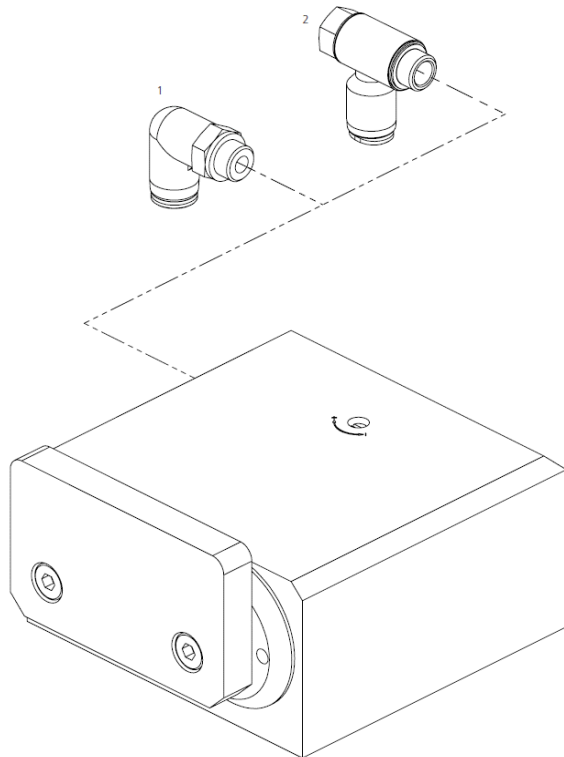
NO.	ORDER NO.	ACCESSORY	DESCRIPTION
1	14010004	Air connection M5	For tubing external diameter Ø 6 mm
2	14010009	Air connection M5	For tubing external diameter Ø 6 mm
3	14010006	Air connection M5/Delivery air connection M5	For tubing external diameter Ø 6 mm

Heat and cold resistant accessories upon request Subject to technical modification.



ASME -	270 -	- H - K -	Customerspecific no.
Product classification Type	<p><b>Temperature range</b>                  - = normal - 20° to +80°                  H = heat resistant - 20° to +180°                  K = cold resistant- 50° to +80°</p> <p><b>Maximum ram pressure</b>                  conveyor speed from 6 m/min up to 270kg</p>		Customerspecific



Accessories



NO.	ORDER NO.	ACCESSORY	DESCRIPTION
1	14010008	Air connection G 1/8	For tubing external diameter Ø 6 mm
2	14010005	Delivery air connection M5	For tubing external diameter Ø 6 mm

Heat and cold resistant accessories upon request Subject to technical modification.

# Pneumatic return stoppers

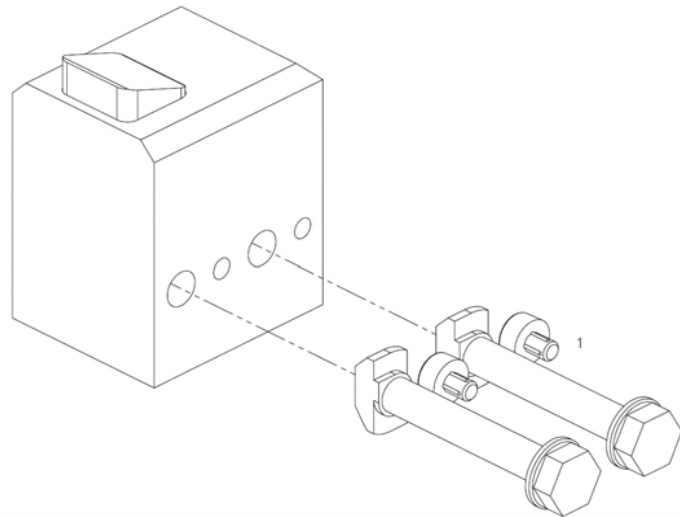
	Basic product	Lowering stroke	Damping stroke	Scope of application	Weight	Variants
	ASR	8mm	n/a	at		cust.-spec. solutions var. access.
	ASRP	8mm	n/a			I cust.-spec. solutions var. access.

I prepared for inductive position sensor

# Product description

ASR –	Customerspecific no.
Product classification Type	Customer specific

## Accessories



NO.	ORDER NO.	ACCESSORY	DESCRIPTION
1	7500000	Fastening set	

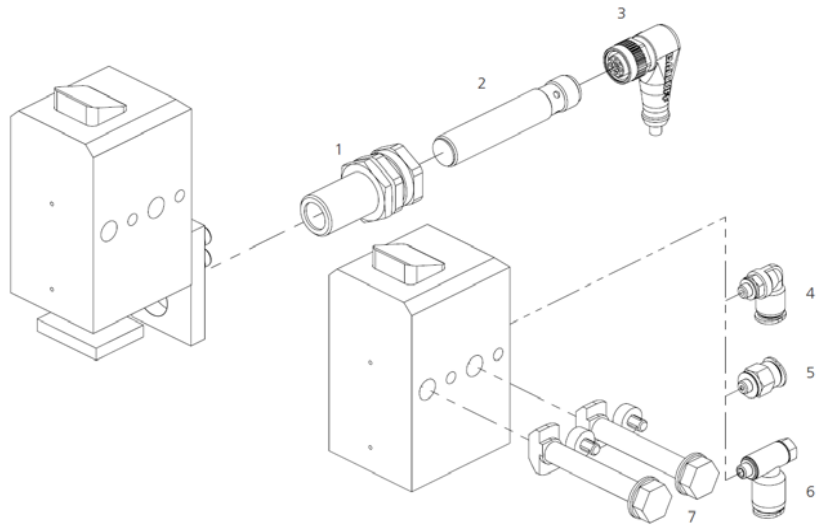
ASRP -	-   -	Customerspecific no.
--------	----------	----------------------

Product classification  
Type

Customer-specific


Query  
- = without sensor  
I = with inductive sensor

### Accessories



NO.	ORDER NO.	ACCESSORY	DESCRIPTION
1	15020002	Clamping holder M16x1	Long version
2	15000002	Inductive proximity switch M12x1	
3	15010001	Connector M12x1	Length 5 m
4	14010004	Air connector M15	For tubing external diameter Ø 6 mm
5	14010009	Air connector M15	For tubing external diameter Ø 6 mm
6	14010006	Delivery air connection M5	For tubing external diameter Ø 6 mm
7	75000000	Fastening set	

# Electrical return stoppers

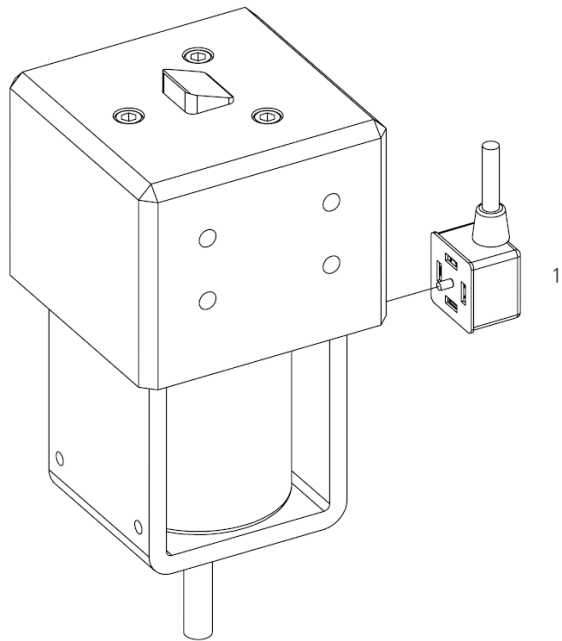
	Basic product	Lowering stroke	Pallet holder road	Scope of application at Weight	Variants
	ASREL	n/a	up to 3kg	06 m/min 09 12 18 24 30 36 50	cust.-spec solutions var. access.

ASREL –	Customespecific no.
---------	---------------------

Product classification  
Type

Customerspecific

### Accessories



NO.	ORDER NO.	ACCESSORY	DESCRIPTION
1	15010004	Solenoid valve connector	Length 5 m

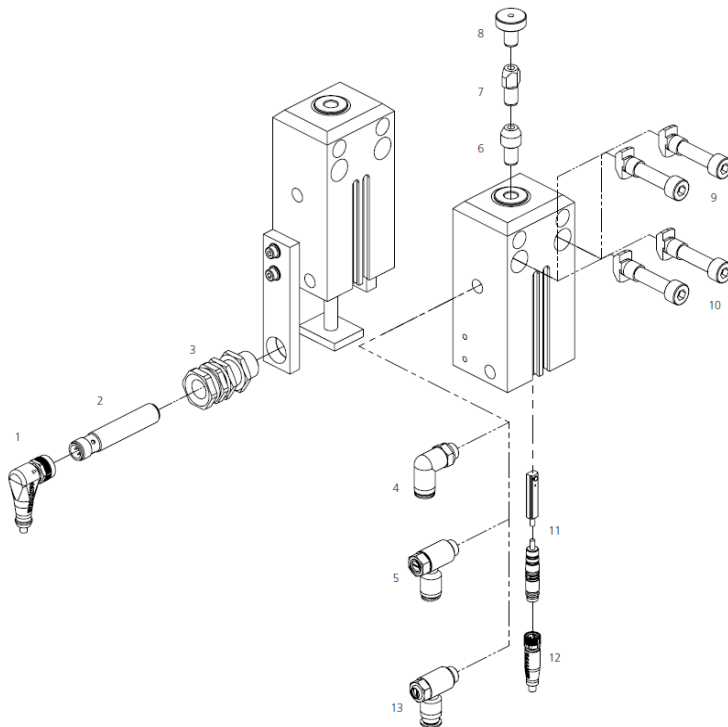
# Positioning unit

	Basic product	Stroke	Damping stroke	Scope of application		Variants
				Operating pressure	Piston force	
	ASP-490	31mm	n/a	Extend 4 bar Extend 6 bar Extend 8 bar Retract 4bar Retract 6bar Retract 8bar	320 N 490 N 670 N 210 N 310 N 410 N	I TS2  cust.-spec solutions var. access.
	ASP-1050	31mm	n/a	Extend 4 bar Extend 6 bar Extend 8 bar Retract 4bar Retract 6bar Retract 8bar	700 N 1050 N 1400 N 590 N 880 N 1180 N	I  cust.-spec solutions var. access.
	ASP-1750	40mm	n/a	Extend 4 bar Extend 6 bar Extend 8 bar Retract 4bar Retract 6bar Retract 8bar	1190 N 1750 N 2380 N 1000 N 1500 N 2000 N	I  cust.-spec solutions var. access.
	ASP-3000	160mm	n/a	Extend 4 bar Extend 6 bar Extend 8 bar Retract 4bar Retract 6bar Retract 8bar	2000 N 3000 N 4000 N 1750 N 2600 N 3500 N	I  cust.-spec solutions var. access.

I prepared for inductive position sensor  
 TS2 spacing dimension

ASP -	490 -	31 -	- I -	- TS2	Customer specific no.
Product classification Type		Stroke (mm) Further strokes upon request		Spacing dimension - = 20.5 TS2 = 20.0	
	Piston force [N] 6 bar operating pressure		Query - = electronic sensor I = inductive sensor		Customer specific

### Accessories

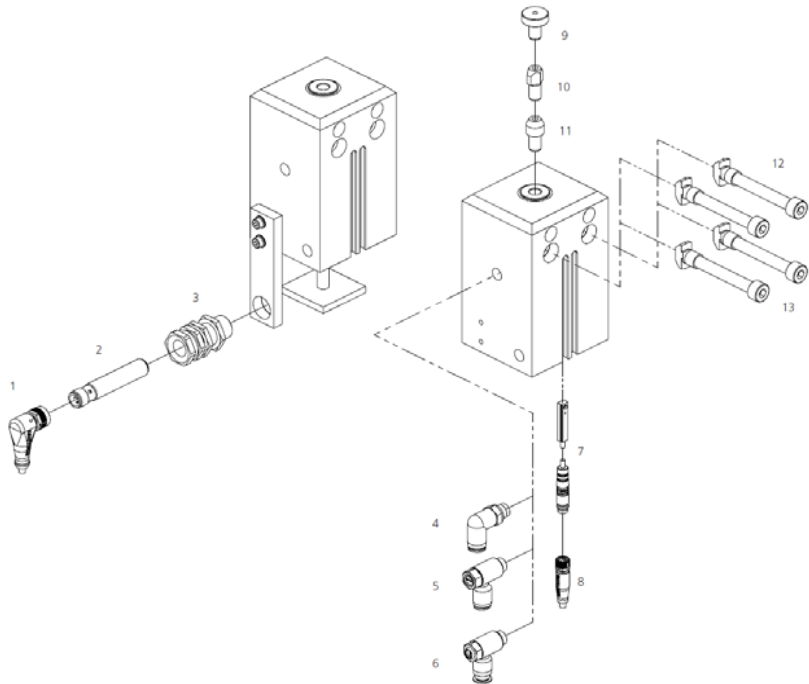


NO.	ORDER NO.	ACCESSORY	DESCRIPTION
1	15010001	Connector M12x1	Length 5 m
2	15000002	Inductive proximity switch M12x1	
3	15020002	Clamping holder M16x1	Long version
4	14010008	Air connection G 1/8	For tubing external diameter Ø 6 mm
5	14010005	Delivery air connection G1/8	For tubing external diameter Ø 6 mm
6	10063000	Index bolts	Round
7	10063001	Index bolts	Free milled
8	10063002	Index bolts	Flat
9	75000014	Fastening set B	With short spacer sleeves
10	75000003	Fastening set A	With short spacer sleeves
11	15000000	Electronic sensor	
12	15010000	Connector M8x1	Length 5 m
13	14010024	Exhaust throttle G1/8	For tubing external diameter Ø 6 mm



ASP -	1050 -	31 -	-   -	Customer specific no.
Product classification Type		Stroke (mm) Further strokes upon request		Customerspecific
	Piston force [N] 6 bar operating pressure		Query - = electronic sensor   = inductive sensor	

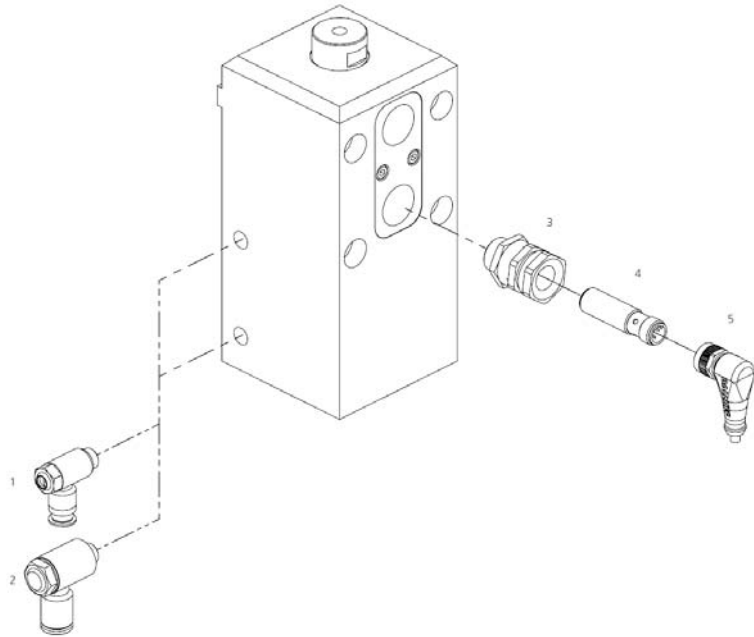
### Accessories



NO.	ORDER NO.	ACCESSORY	DESCRIPTION
1	15010001	Connector M12x1	Length 5 m
2	15000002	Inductive proximity switch M12x1	
3	15020002	Clamping holder M16x1	Long version
4	14010008	Air connection G 1/8	For tubing external diameter Ø 6 mm
5	14010005	Delivery air connection G1/8	For tubing external diameter Ø 6 mm
6	14010024	Exhaust throttle G 1/8	For tubing external diameter Ø 6 mm
7	15000000	Electronic sensor	
8	15010000	Connector M8x1	Length 5 m
9	10063002	Index bolts	Flat
10	10063001	Index bolts	Free milled
11	10063000	Index bolts	Round
12	75000023	Fastening setz B	With short spacer sleeves
13	75000022	Fastening setz A	With short spacer sleeves

ASP -	1750 -	40 -	I -	Customerspecific no.
Product classification Type	Stroke (mm) Further strokes upon request  Piston force [N] 6 bar operating pressure		Customerspecific  Query I = inductive sensor	

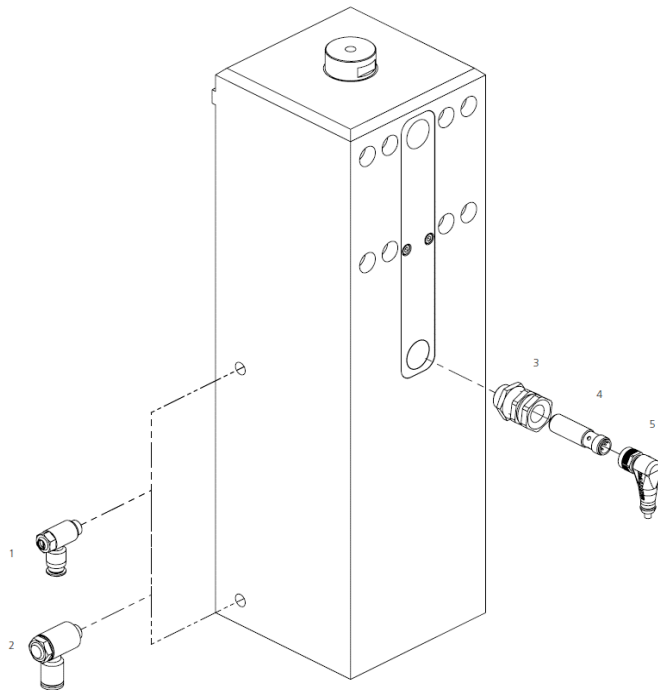
### Accessories



NO.	ORDER NO.	ACCESSORY	DESCRIPTION
1	14010024	Exhaust throttle G 1/8	For tubing external diameter Ø 6 mm
2	14010013	Exhaust throttle G 1/8	For tubing external diameter Ø 8 mm
3	15030001	Connector M16x1	Short version
4	15000001	Inductive proximity switch M12x1	
5	15010001	Connector M12x1	Length 5 m

ASP -	3000 -	160 -	I -	Customerspecific no.
Product classification Type	Stroke (mm) Further strokes upon request  Piston force [N] 6 bar operating pressure		Customer-specific  Query I = inductive sensor	

### Accessories



NO.	ORDER NO.	ACCESSORY	DESCRIPTION
1	14010024	Exhaust throttle G 1/8	For tubing external diameter Ø 6 mm
2	14010013	Exhaust throttle G 1/8	For tubing external diameter Ø 8 mm
3	15030001	Connector M16x1	Short version
4	15000001	Inductive proximity switch M12x1	
5	15010001	Connector M12x1	Length 5 m